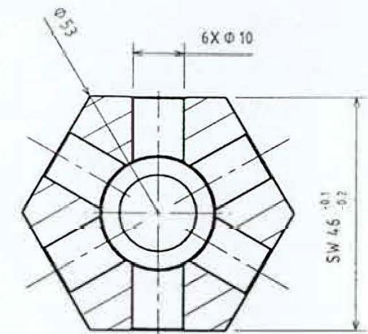
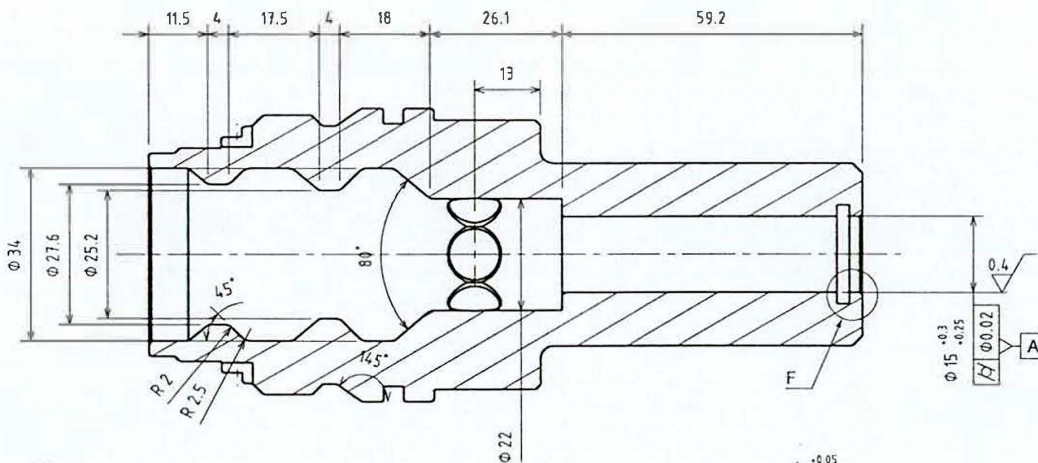


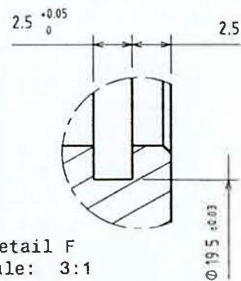
Section view D-D
Scale: 1:1



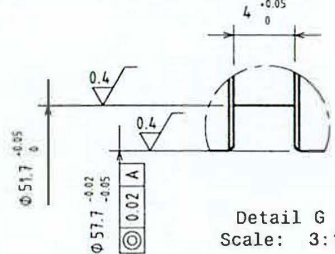
Section view E-E
Scale: 1:1



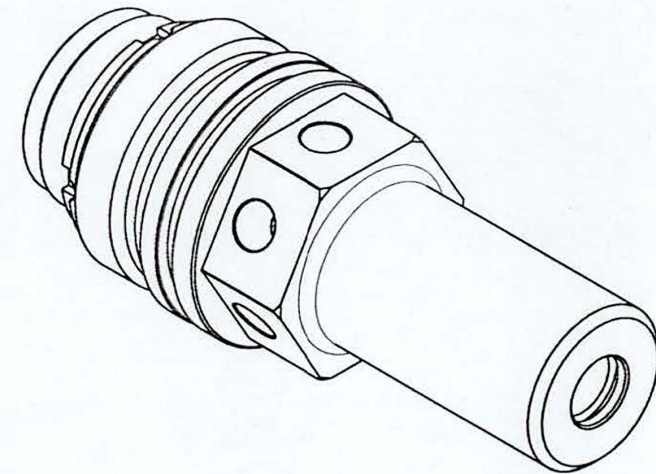
Section view A-A
Scale: 1:1



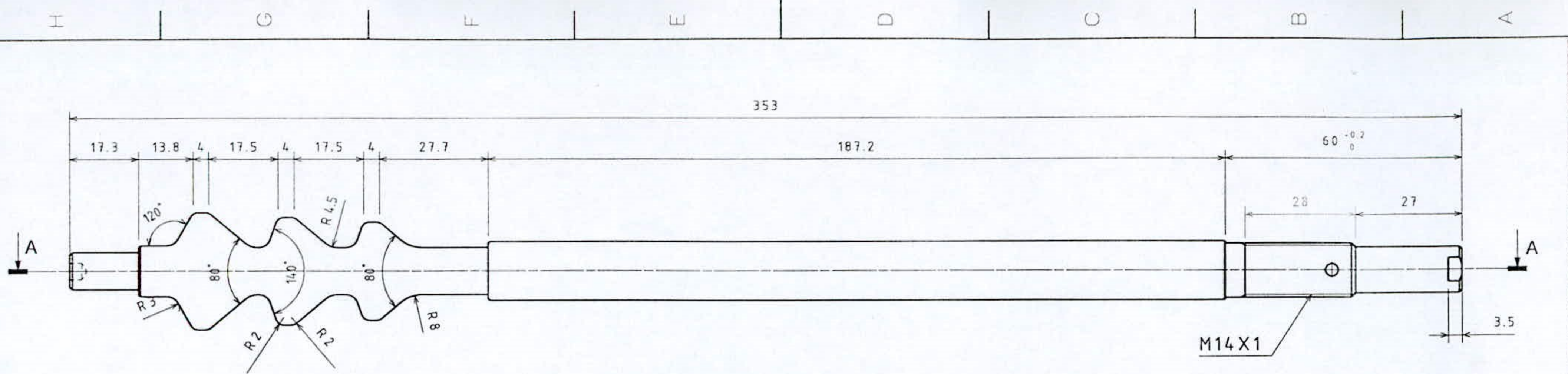
Detail F
Scale: 3:1



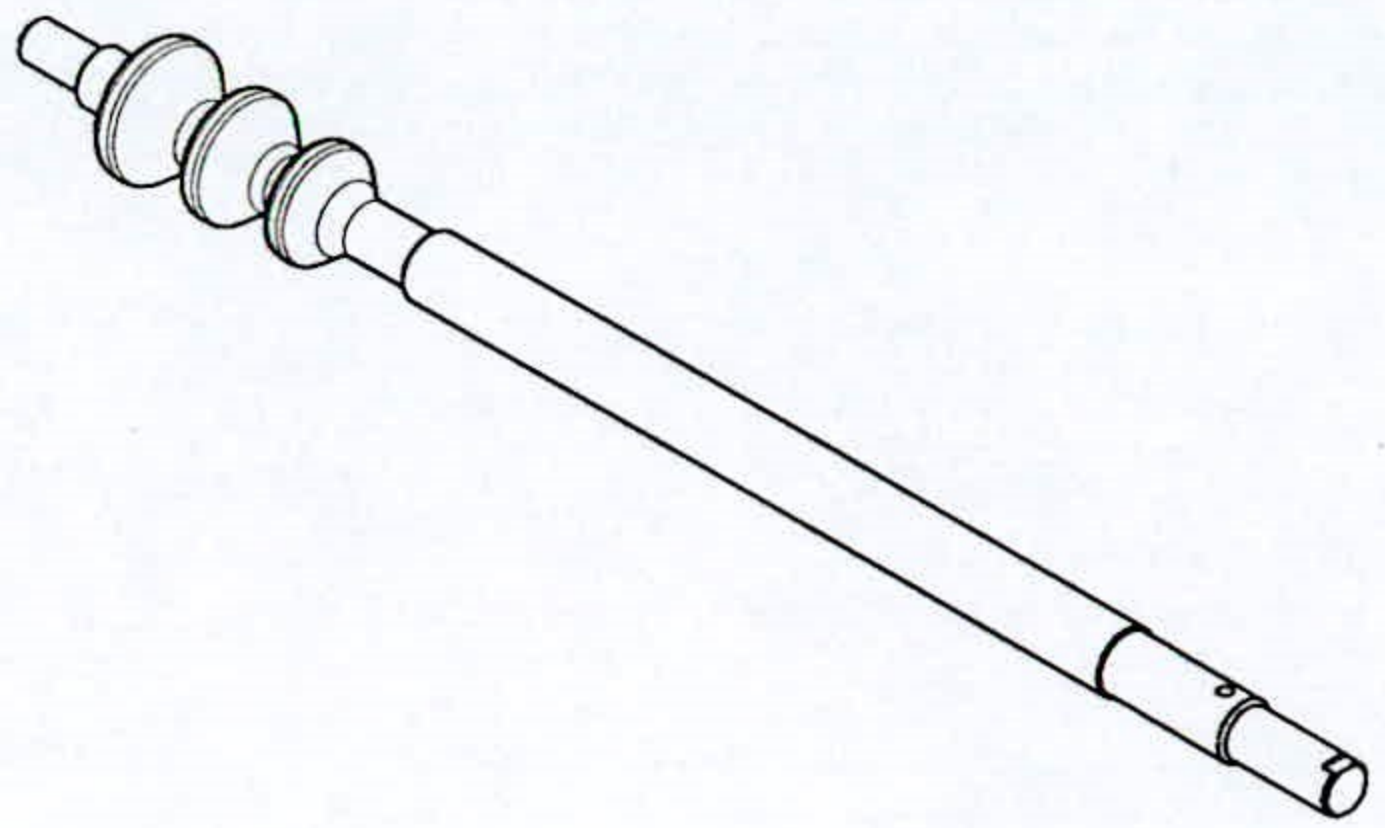
Detail G
Scale: 3:1



Montazer Ghaem Power Management Co.			DIMENSION WITHOUT TOLERANCE ARE ACCORDING TO ISO2768(M)		SCALE: 1:1	QTY: 1	WEIGHT (Kg): 0.5
					MATERIAL: AISI 420 - 45HRC	UNITS: mm	
				DATE: 96/6/13 NAME: M. Hemmati	PART NAME: Seal Bushing		
				DATE: 96/6/13 NAME: M. Hemmati	PART NO.: 118007001		
					CLIENT PART No.: 6440004499		SIZE: A3 SHEET 1/1
NO.	REVISION	DATE	NAME	CLIENT:			



Section view A-A
Scale: 1:1



Montazer Ghaem Power Management Co.		DIMENSION WITHOUT TOLERANCE ARE ACCORDING TO ISO2768(M)		SCALE: 1:1	QTY: 1	WEIGHT (Kg): 0.5															
				MATERIAL: AISI 420 - 45HRC		UNITS: mm															
<table border="1"> <thead> <tr> <th></th> <th>DATE</th> <th>NAME</th> </tr> </thead> <tbody> <tr> <td>DRAFT</td> <td>96/6/13</td> <td></td> </tr> <tr> <td>DRAW.</td> <td>96/6/13</td> <td></td> </tr> <tr> <td>CHECK</td> <td>96/6/13</td> <td></td> </tr> <tr> <td>APPR.</td> <td>96/6/13</td> <td></td> </tr> </tbody> </table>					DATE	NAME	DRAFT	96/6/13		DRAW.	96/6/13		CHECK	96/6/13		APPR.	96/6/13		PART NAME: Control Plug		
	DATE	NAME																			
DRAFT	96/6/13																				
DRAW.	96/6/13																				
CHECK	96/6/13																				
APPR.	96/6/13																				
				PART NO.: 118007001		SIZE: A3 SHEET 1/1															
NO.	REVISION	DATE	NAME	CLIENT:	CLIENT PART No.: 6440004499																

