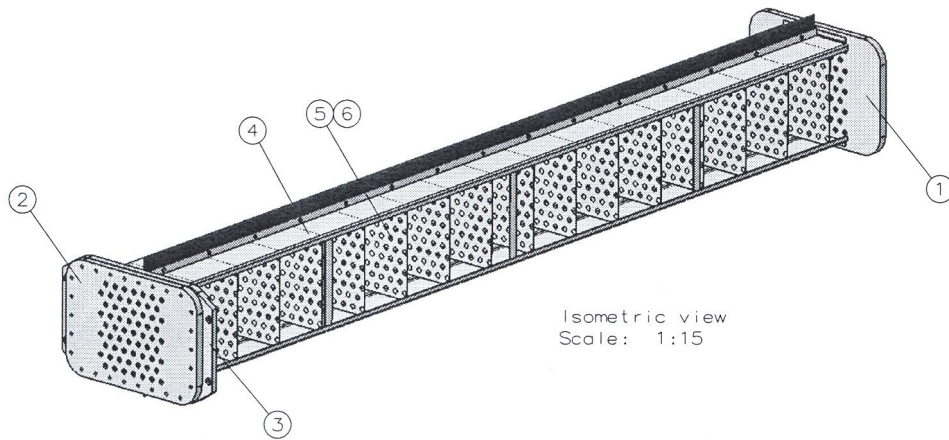
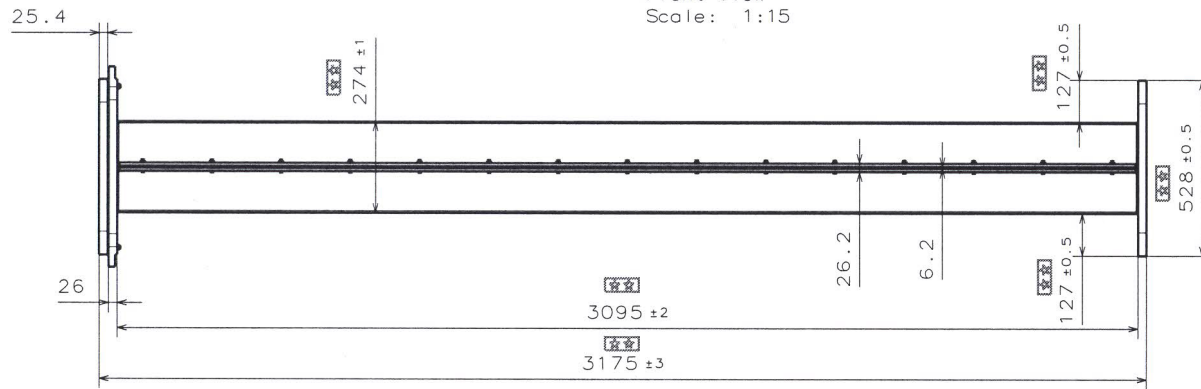
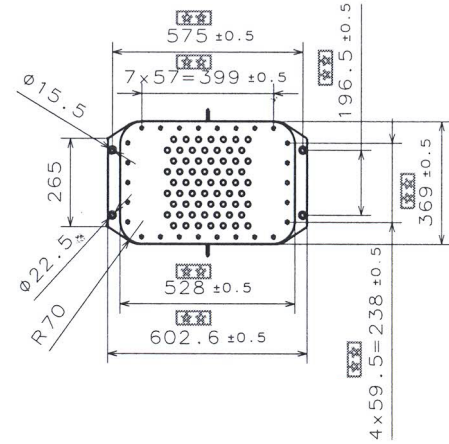


Front view
Scale: 1:15



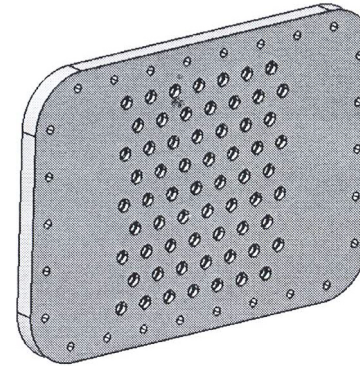
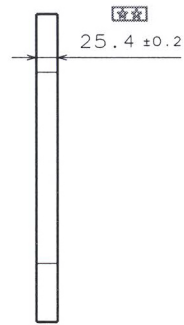
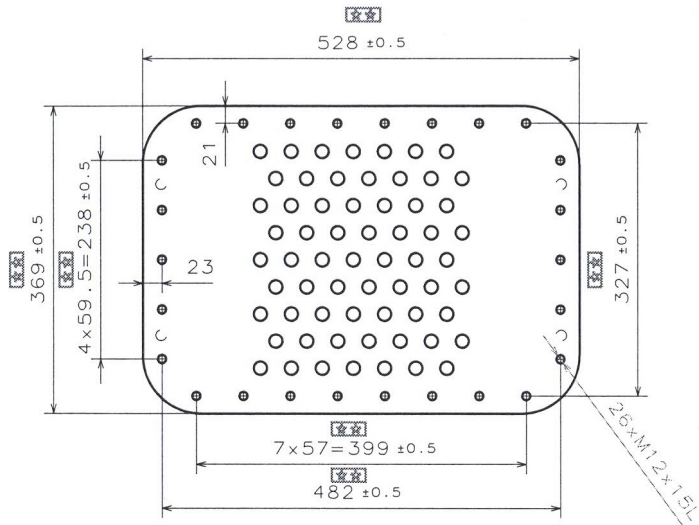
Isometric view
Scale: 1:15

7	----	Belt 02 (270x30x3)	St-37	6
6	2-01781-06	Core Fin	AA 1060 H14	1965
5	2-01781-05	CoreTube	Copper Nickel	63
4	2-01781-04	Side Support Assy.	Various	2
3	2-01781-03	Installation Tube Sheet	A516 - Gr70	1
2	2-01781-02	Upper Tube Sheet	A516 - Gr70	1
1	2-01781-01	Lower Tube Sheet	A516 - Gr70	1
NO.	DWG NO.	DESCRIPTION	MATERIAL	QTY.

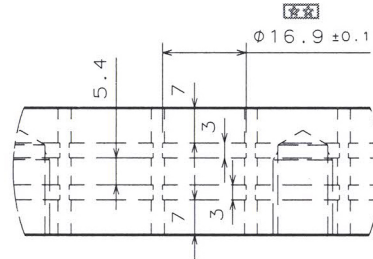
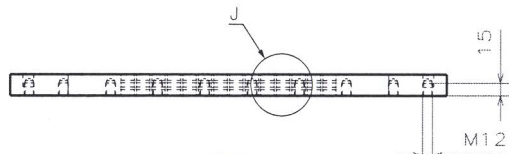
Drawing NO.: 2-01781-00		Montazer Ghaem Power Plant	
Assembly Name: Cooler Hydrogen Bundle			
Core Size: 3095x304x262		Tolerance : DIN7168/M	
Test Pressure: 13 Bar		Unit : mm	
Qty : 1	Rev : 0	Sheet Size : A4	Scale :
Drawn by:	Designed by :	Checked by :	Approved by :
REV.	DATE	DESCRIPTION	

NOTE:
☆☆ THE DIMENSIONS MARKED BY THIS SIGN SHOULD BE CHECKED IN PROTOTYPE.
☆☆ THE DIMENSIONS MARKED BY THIS SIGN SHOULD BE CHECKED IN PROTOTYPE AND MASS PRODUCTION.

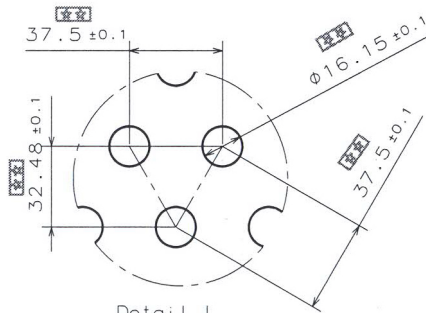
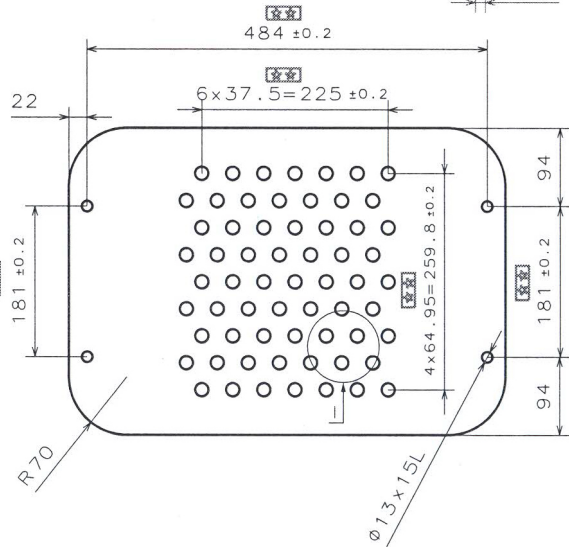
△		
REV.	DATE	DESCRIPTION



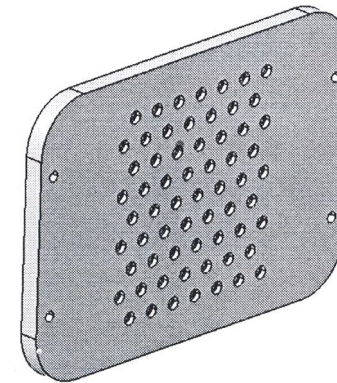
Isometric view
Scale: 1:6



Detail J
Scale: 1:1



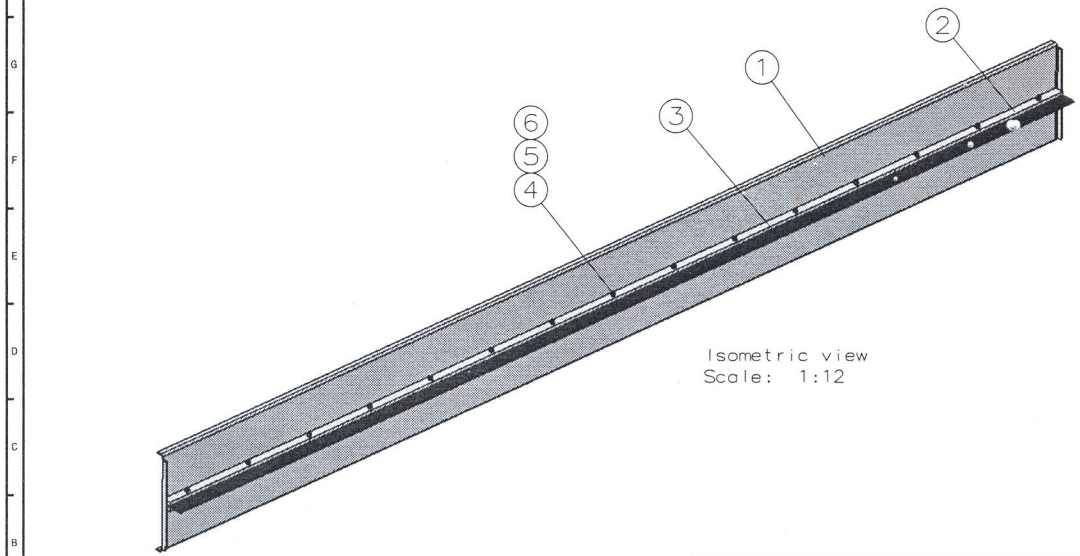
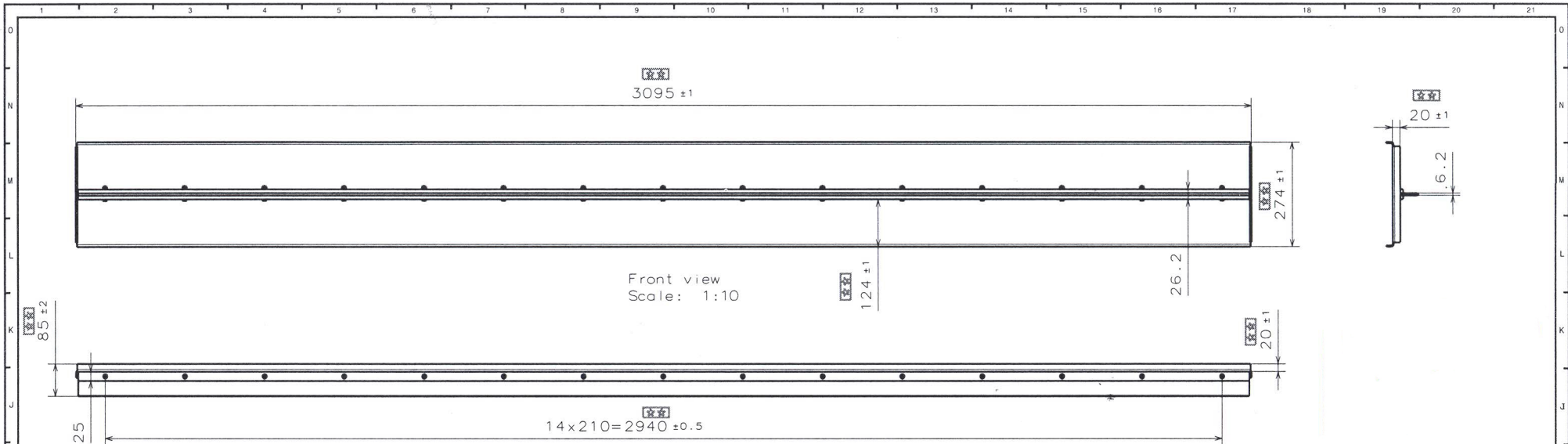
Detail I
Scale: 1:2



NOTE:
☆☆ THE DIMENSIONS MARKED BY THIS SIGN SHOULD BE CHECKED IN PROTOTYPE.
☆☆ THE DIMENSIONS MARKED BY THIS SIGN SHOULD BE CHECKED IN PROTOTYPE AND MASS PRODUCTION.

REV.	DATE	DESCRIPTION

Drawing NO.: 2-01781-00		Montazer Ghaem Power Plant	
Assembly Name: Cooler Hydrogen Bundle			
Core Size: 3095x304x262		Tolerance : DIN7168/M	
Test Pressure: 13 Bar		Unit : mm	
Qty : 1	Rev : 0	Sheet Size : A4	Scale :
Drawn by:	Designed by :	Checked by :	Approved by :

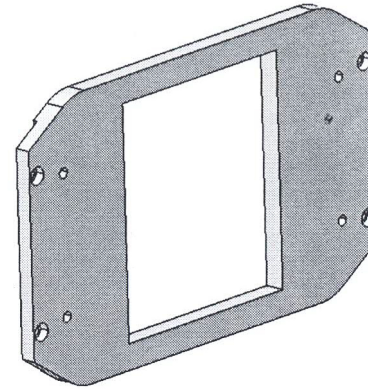
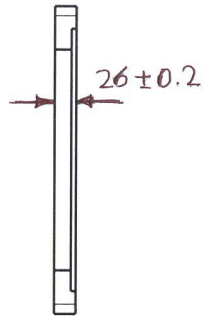
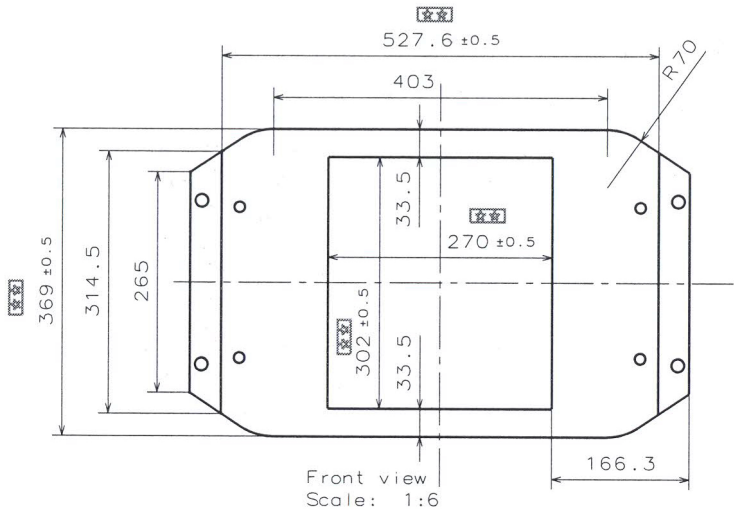


6	----	Washer (M6)	Ck-15	30
5	----	Nut (M6x1)	Ck-15	15
4	----	Bolt (M6x1x40L)	Ck-15	15
3	----	Sealing Rubber	EPDM	1
2	2-01781-04-02	Belt 01	ST-37	2
1	2-01781-04-01	Side Support	ST-37	1
NO.	DWG NO.	DESCRIPTION	MATERIAL	QTY.

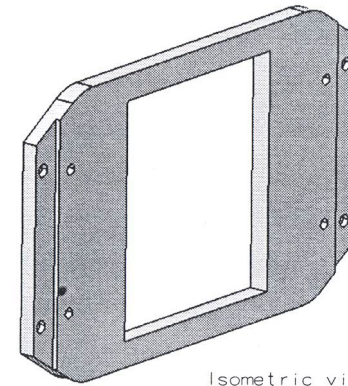
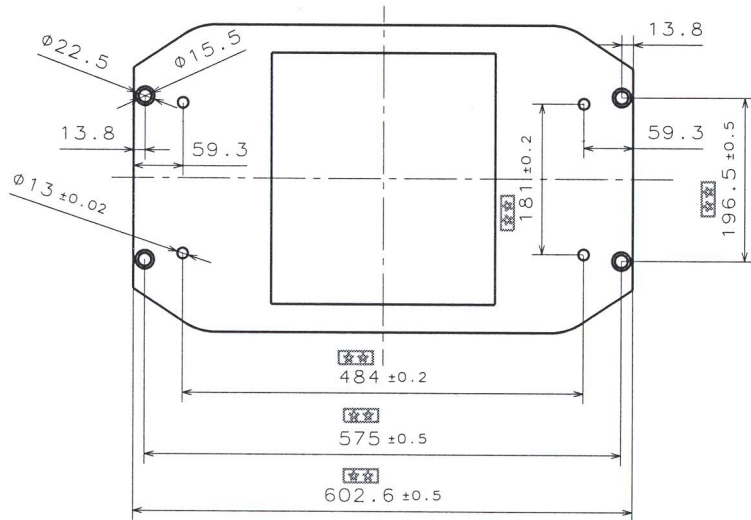
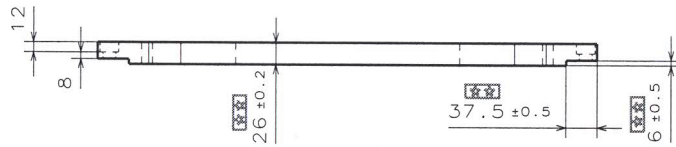
Drawing NO.: 2-01781-00		Montazer Ghaem Power Plant	
Assembly Name: Cooler Hydrogen Bundle			
Core Size: 3095x304x262		Tolerance : DIN7168/M	
Test Pressure: 13 Bar		Unit : mm	
Qty : 1	Rev : 0	Sheet Size : A4	Scale :
Drawn by:	Designed by :	Checked by :	Approved by :

NOTE:
 ★★ THE DIMENSIONS MARKED BY THIS SIGN SHOULD BE CHECKED IN PROTOTYPE.
 ★★ THE DIMENSIONS MARKED BY THIS SIGN SHOULD BE CHECKED IN PROTOTYPE AND MASS PRODUCTION.

REV.	DATE	DESCRIPTION



Isometric view
Scale: 1:6



Isometric view
Scale: 1:6

NOTE:
 ☆☆ THE DIMENSIONS MARKED BY THIS SIGN SHOULD BE CHECKED IN PROTOTYPE.
 ☆☆☆ THE DIMENSIONS MARKED BY THIS SIGN SHOULD BE CHECKED IN PROTOTYPE AND MASS PRODUCTION.

REV.	DATE	DESCRIPTION

Drawing NO.: 2-01781-00		Montazer Ghaem Power Plant	
Assembly Name: Cooler Hydrogen Bundle			
Core Size: 3095x304x262		Tolerance : DIN7168/M	
Test Pressure: 13 Bar		Unit : mm	
Qty : 1	Rev : 0	Sheet Size : A4	Scale :
Drawn by:	Designed by :	Checked by :	Approved by :