

D

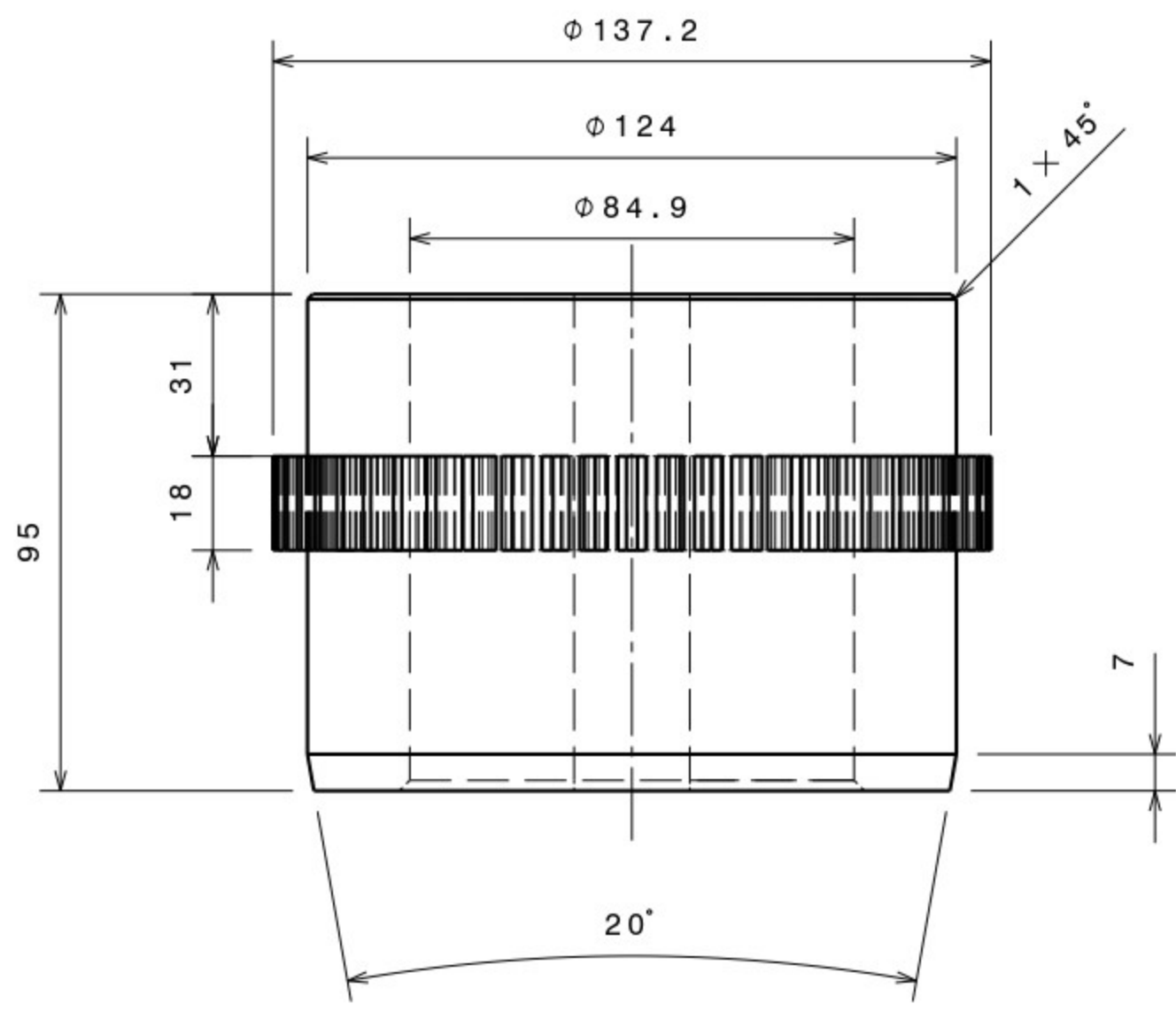
C

B

A

4

4

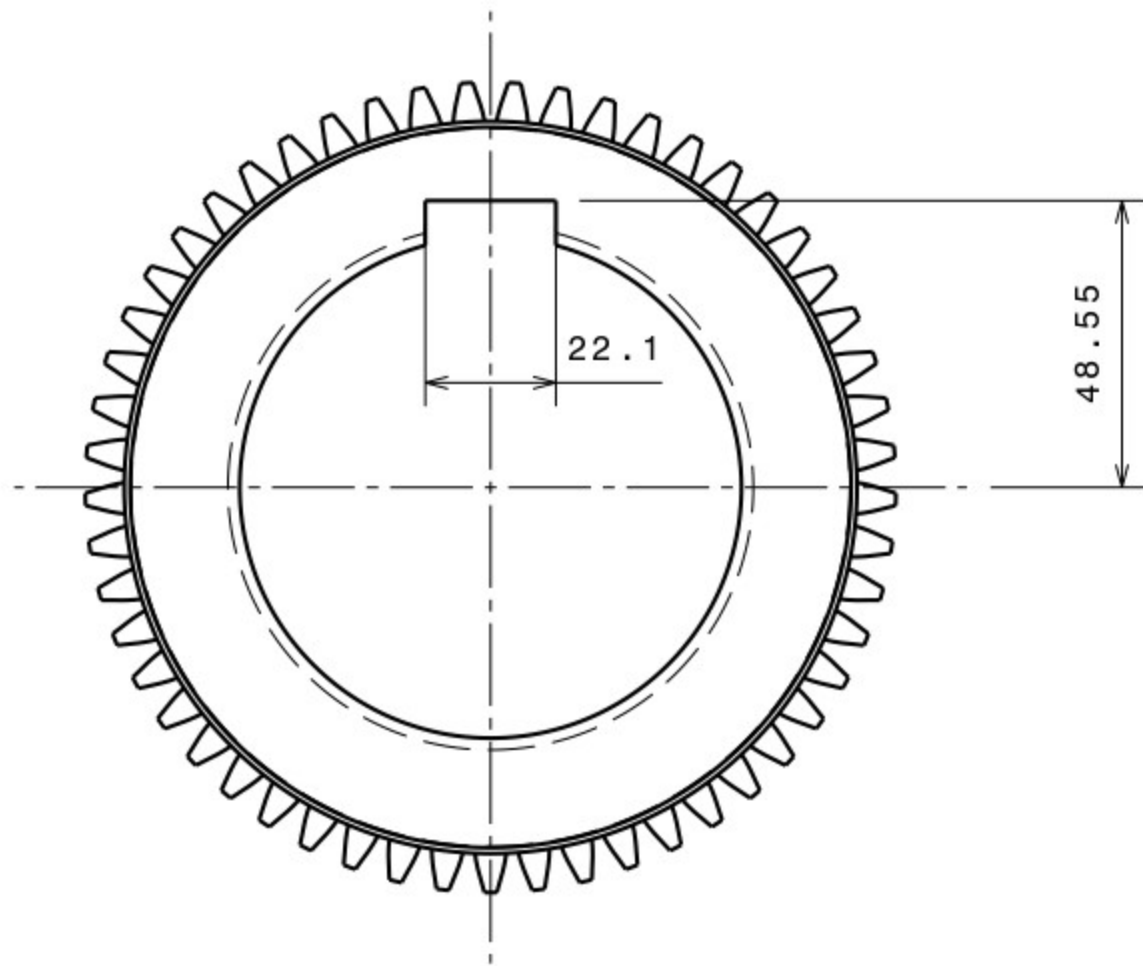


3

3

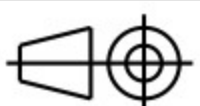
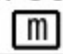
2

2



1

1

DESIGNED BY:					
DATE:					
CHECKED BY:					
DATE:					
APPROVED BY:					
DATE:					
SIZE A4		TITLE: XXX	MATERIAL: CK52		
SCALE 1:2	WEIGHT	DRAWING CODE: Coupling 90 (1-1)		SHEET: 1	General Tolerance DIN6885 Group
REV: 0	This drawing is our property; it can't be reproduced or communicated without our written agreement				

D

A