
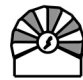
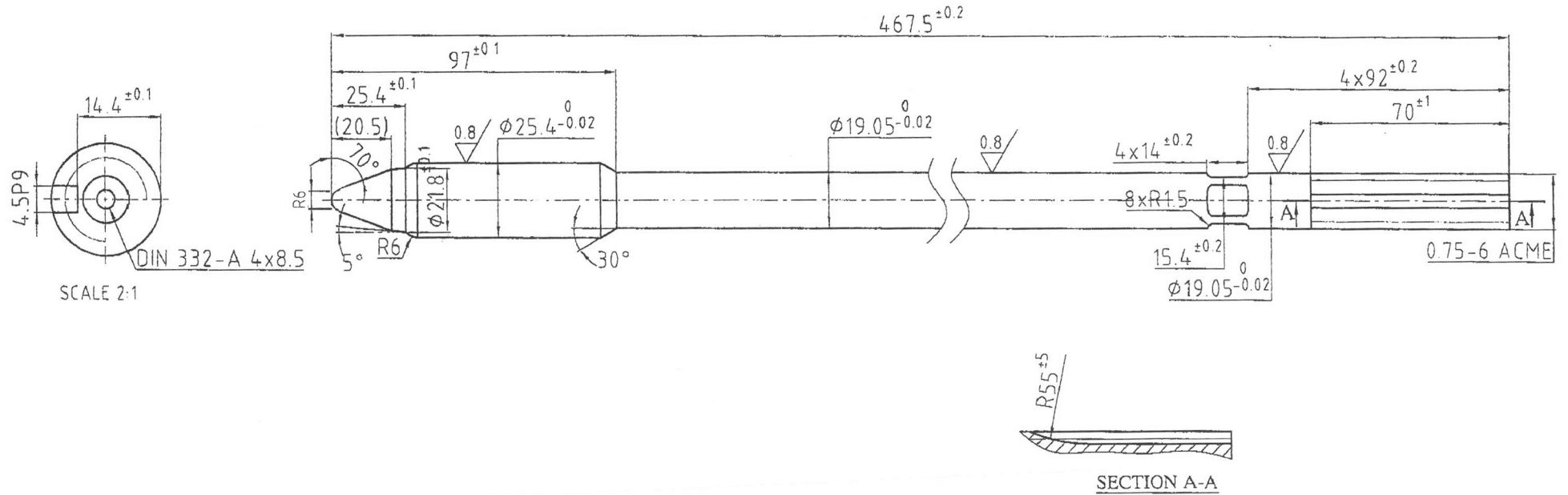




Power And Energy Development Company SEPEHR 		MONTAZER GHAEM Power Management Co. 		
DRAWN BY	DATE	DRAWING TITLE: SUPERHEAT SEAT		
CHECKED BY	DATE	Material: AISI 440C (45+3 HRC)	Scale: 1:1	
Approved By:	DATE	Dimension : mm	Tolerance : DIN 7168 (f)	Sheet 1/1



Power And Energy Development Company SEPEHR 		MONTAZER GHAEM Power Management Co. 	
DRAWN BY	DATE	DRAWING TITLE: SUPERHEAT VALVE	
CHECKED BY	DATE	Material: AISI 440C (45+3 HRC)	Scale: 1:1
Approved By:	DATE	Dimension : mm	Tolerance : DIN 7168 (f) Sheet 1/1