

D C B A

4

3

2

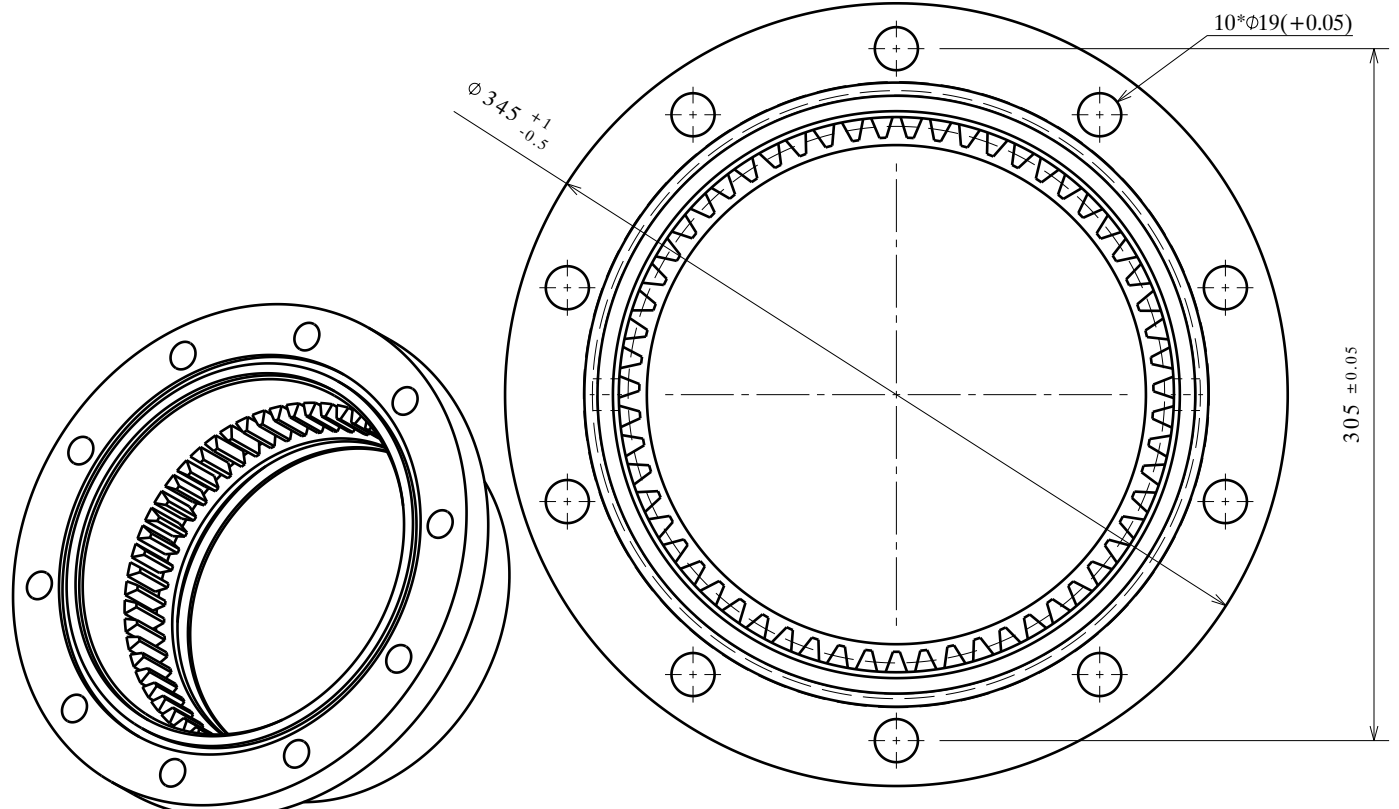
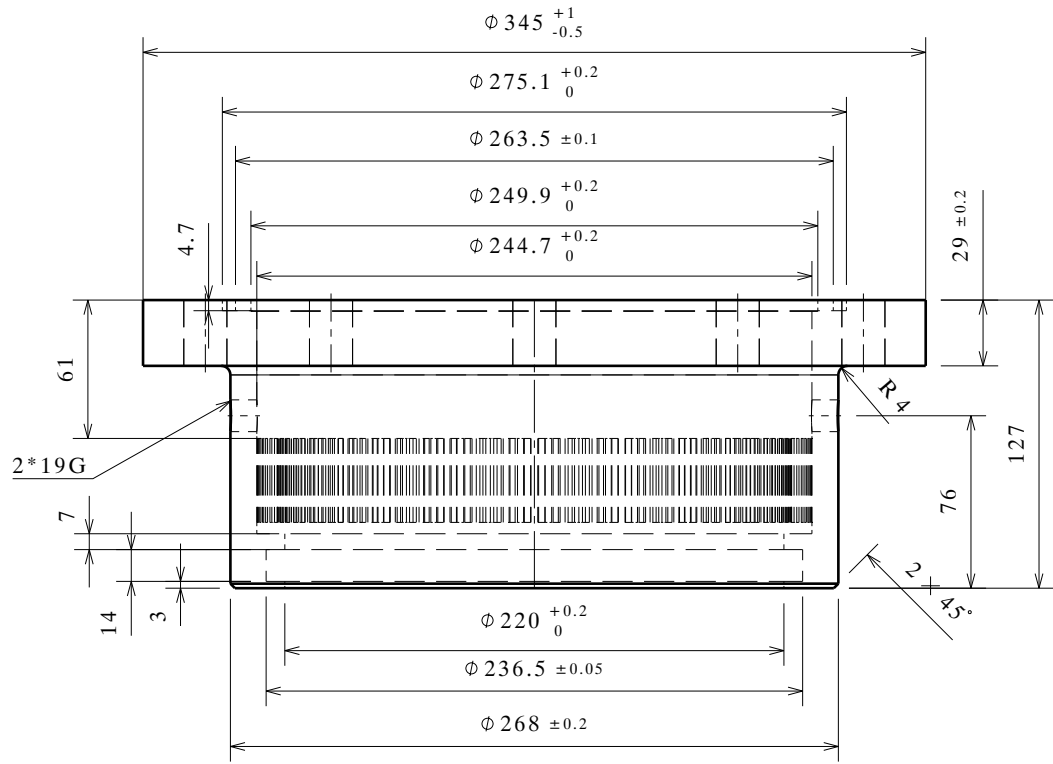
1

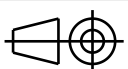
4

3

2

1



DESIGNED BY:				
DATE:				
CHECKED BY:				
DATE:				
APPROVED BY:				
DATE:				
SIZE		TITLE:	MATERIAL:	
A4		XXX	CK45	
SCALE	WEIGHT	DRAWING CODE:	SHEET:	General Tolerance
3:10		COPLING 165 (2-1)	1	DIN7168 Group
REV: 0	This drawing is our property; it can't be reproduced or communicated without our written agreement			

D A