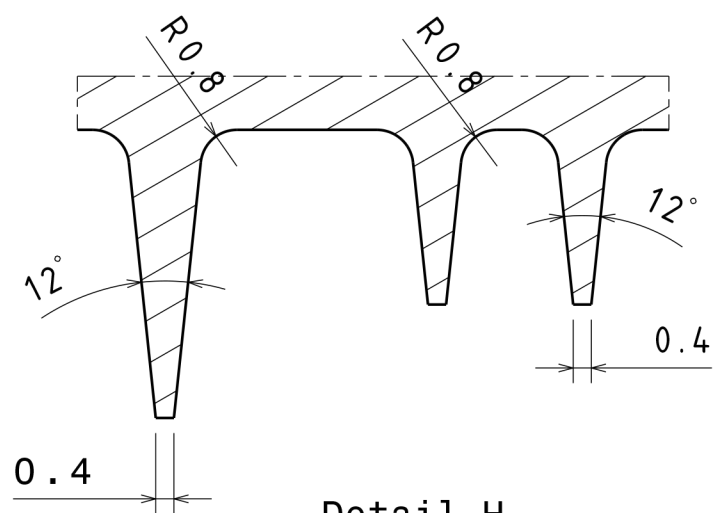
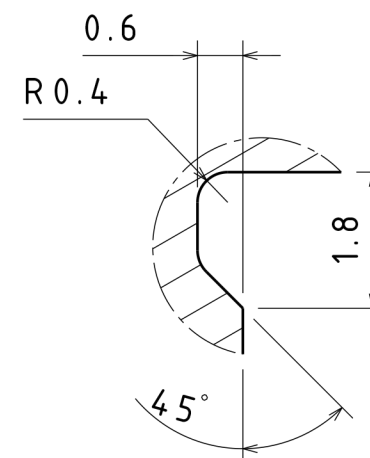



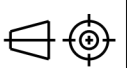
Section cut F-F
Scale: 3:1

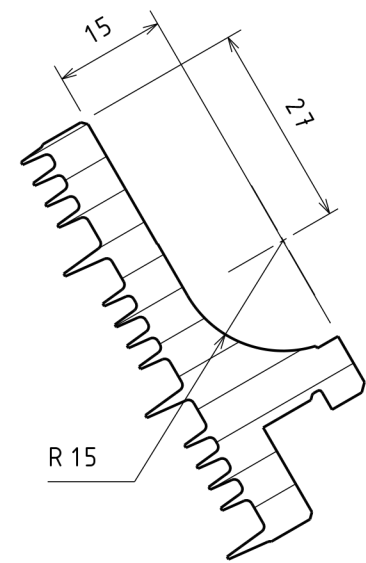
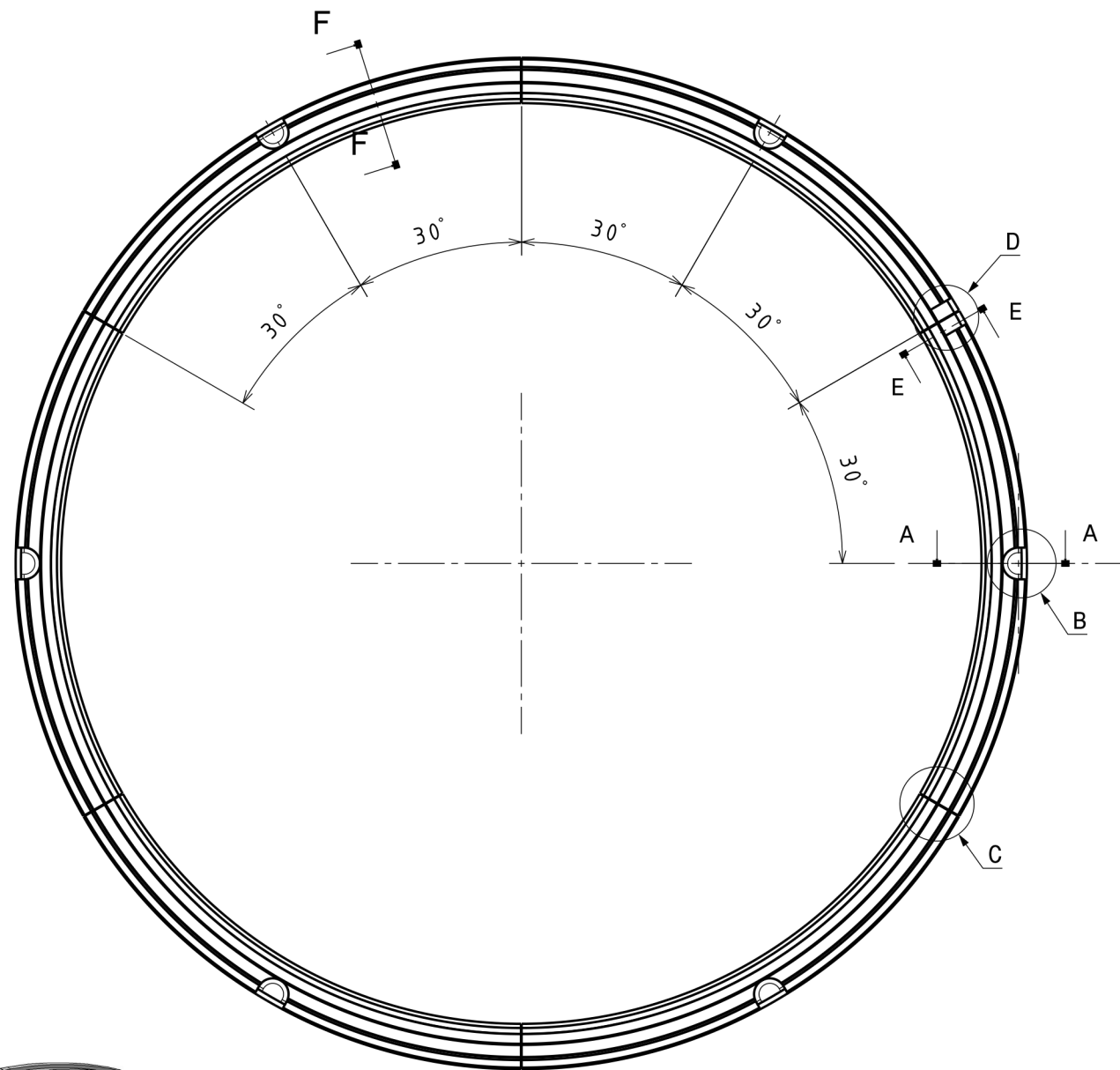


Detail H
Scale: 6:1

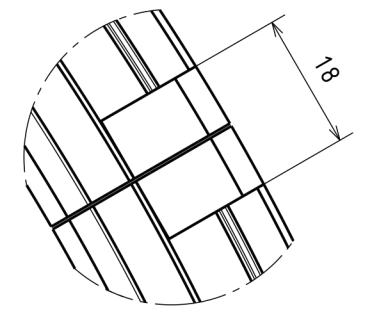


Detail G
Scale: 10:1

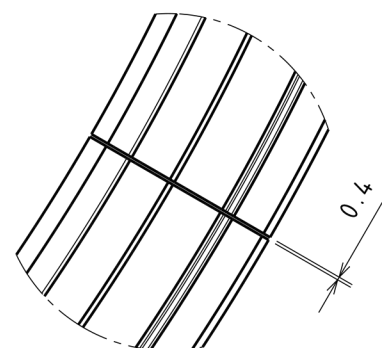
Montazer Ghaem Power Management Co. 		DIMENSION WITHOUT TOLERANCE ARE ACCORDING TO ISO2768(M)			SCALE: 1:4	QTY:	WEIGHT (Kg): 18.9														
					MATERIAL: ASTM A439 Type D-2C		UNITS: mm														
<table border="1"> <thead> <tr> <th></th> <th>DATE</th> <th>NAME</th> </tr> </thead> <tbody> <tr> <td>DRAFT</td> <td></td> <td></td> </tr> <tr> <td>DRAW.</td> <td></td> <td></td> </tr> <tr> <td>CHECK APPR.</td> <td></td> <td></td> </tr> </tbody> </table>						DATE	NAME	DRAFT			DRAW.			CHECK APPR.			PART NAME: Packing Ring Stage 15			PART NO.: 118007001	 SIZE: A3 SHEET 1/2
						DATE	NAME														
					DRAFT																
					DRAW.																
CHECK APPR.																					
CLIENT PART No.: 6111137143																					
NO.	REVISION	DATE	NAME	CLIENT:																	



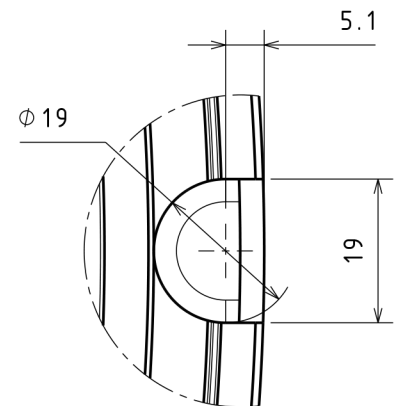
Section cut E-E
Scale: 1:1



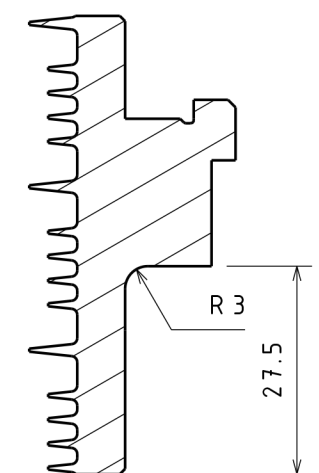
Detail D
Scale: 1:1



Detail C
Scale: 1:1



Detail B
Scale: 1:1



Section cut A-A
Scale: 1:1

Montazer Ghaem Power Management Co.				DIMENSION WITHOUT TOLERANCE ARE ACCORDING TO ISO2768(M)		SCALE: 1:4	QTY:	WEIGHT (Kg): 18.9
						MATERIAL: ASTM A439 Type D-2C		UNITS: mm
						PART NAME: Packing Ring Stage 15		
						PART NO.: 118007001		
NO.	REVISION	DATE	NAME	CLIENT:	CLIENT PART No.:			