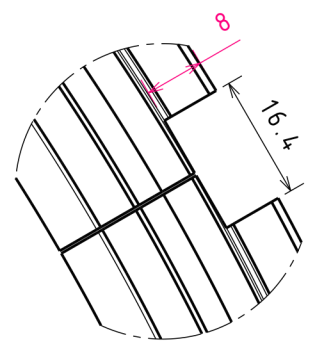
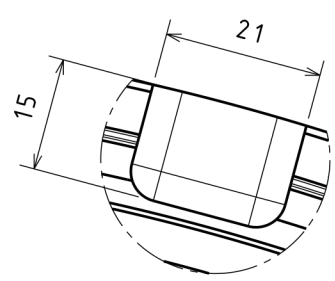


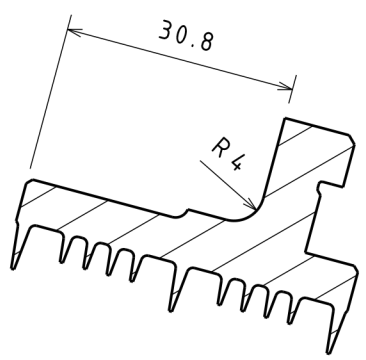
Detail C
Scale: 1:1




Detail D
Scale: 1:1



Detail B
Scale: 1:1



Section cut A-A
Scale: 1:1

Montazer Ghaem Power Management Co. 		DIMENSION WITHOUT TOLERANCE ARE ACCORDING TO ISO2768(M)			SCALE: 1:4	QTY:	WEIGHT (Kg): 18.9
					MATERIAL: ASTM A439 Type D-2C		UNITS: mm
					PART NAME:		
					Packing Ring Stage 19		
					PART NO.: 118007001		SIZE: A3 SHEET 1/2
NO.	REVISION	DATE	NAME	CLIENT:	CLIENT PART No.: 6111137127		

4

3

2

1

4

3

2

1

