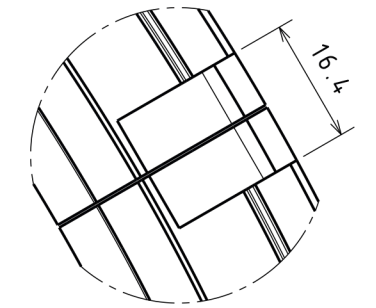
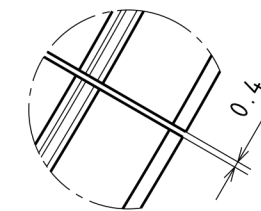


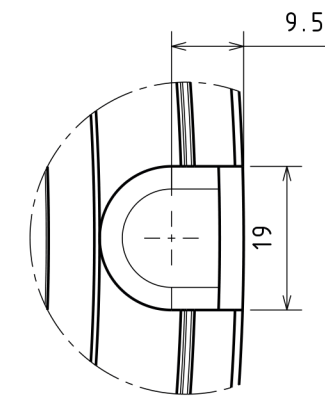
Section cut E-E
Scale: 1:1



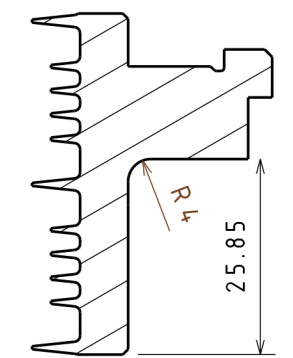
Detail D
Scale: 1:1



Detail C
Scale: 2:1


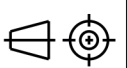


Detail B
Scale: 1:1



Section cut A-A
Scale: 1:1



Montazer Ghaem Power Management Co. 		DIMENSION WITHOUT TOLERANCE ARE ACCORDING TO ISO2768(M)			SCALE: 1:4	QTY:	WEIGHT (Kg): 10.16
					MATERIAL: ASTM A439 Type D-2C		UNITS: mm
PART NAME: Packing Ring					PART NO.: 118032003		
					CLIENT PART No.: 6111137046		
					 SIZE: A3 SHEET 1/2		
					NO. REVISION DATE NAME CLIENT:		

H G F E D C B A

4

3

2

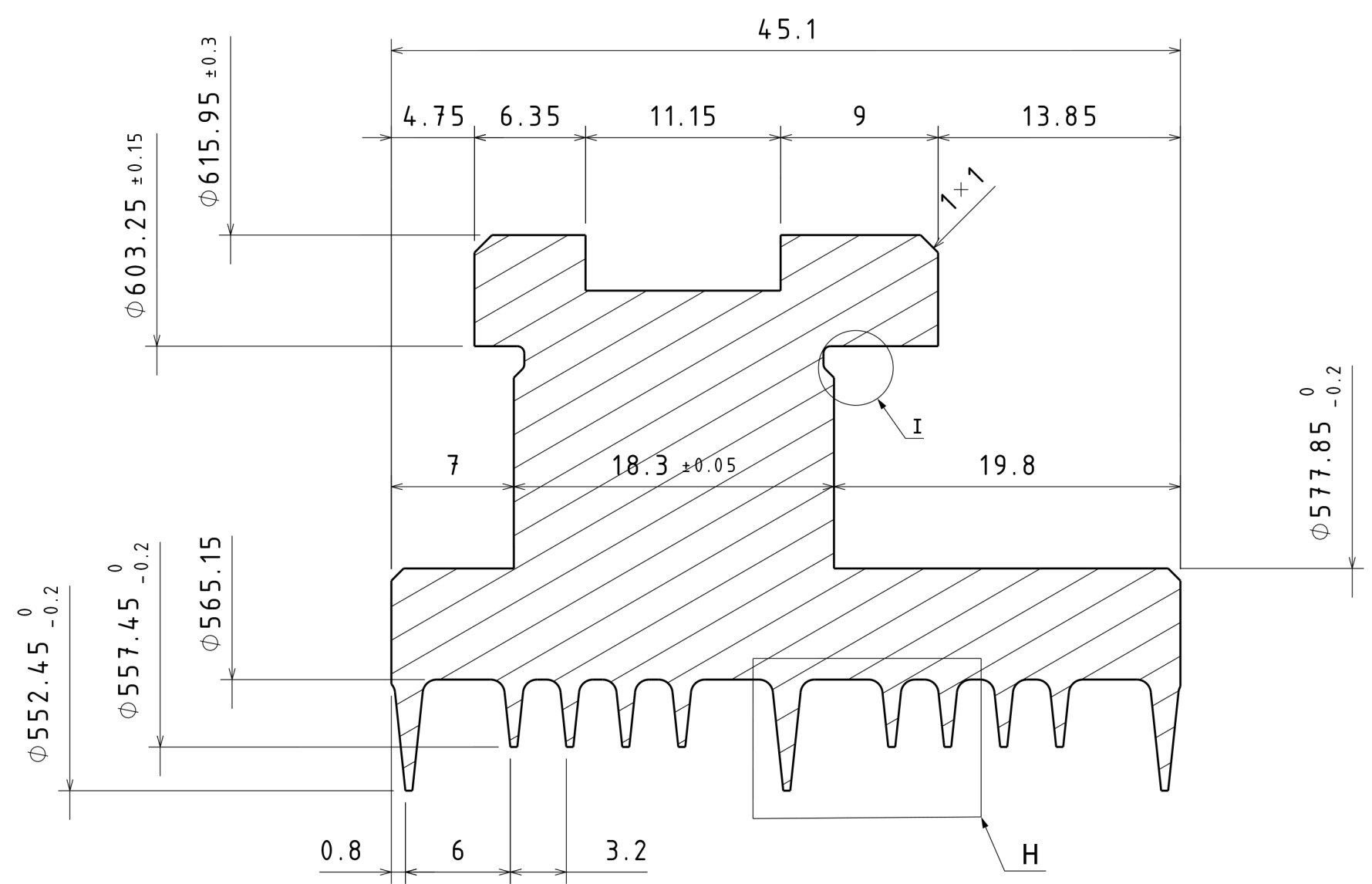
1

4

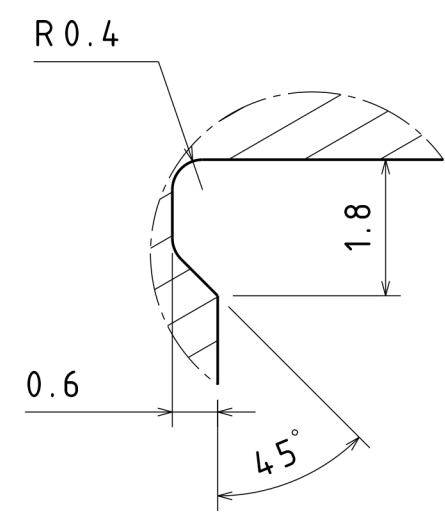
3

2

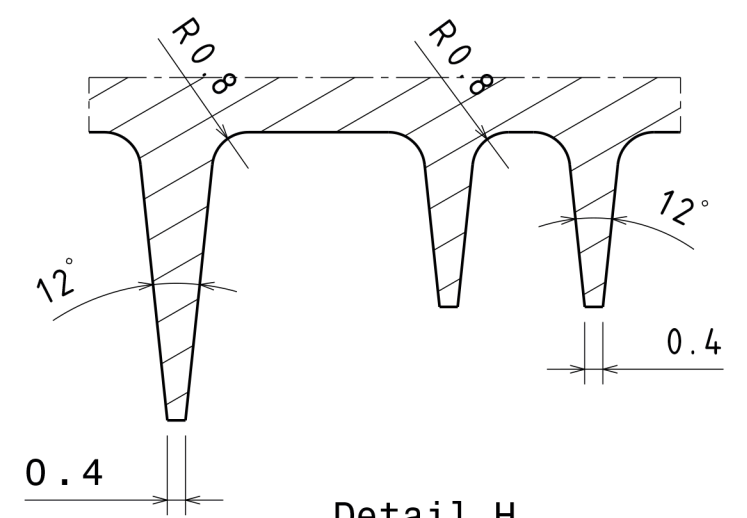
1




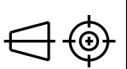
Section cut F-F
Scale: 3:1



Detail I
Scale: 10:1



Detail H
Scale: 6:1

Montazer Ghaem Power Management Co. 		DIMENSION WITHOUT TOLERANCE ARE ACCORDING TO ISO2768(M)			SCALE: 1:4	QTY:	WEIGHT (Kg): 10.16															
					MATERIAL: ASTM A439 Type D-2C		UNITS: mm															
<table border="1"> <thead> <tr> <th></th> <th>DATE</th> <th>NAME</th> </tr> </thead> <tbody> <tr> <td>DRAFT</td> <td></td> <td></td> </tr> <tr> <td>DRAW.</td> <td></td> <td></td> </tr> <tr> <td>CHECK</td> <td></td> <td></td> </tr> <tr> <td>APPR.</td> <td></td> <td></td> </tr> </tbody> </table>						DATE	NAME	DRAFT			DRAW.			CHECK			APPR.			PART NAME: Packing Ring		
						DATE	NAME															
					DRAFT																	
					DRAW.																	
CHECK																						
APPR.																						
PART NO.: 118032003			 SIZE: A3 SHEET 2/2																			
CLIENT PART No.: 6111137046																						
NO.	REVISION	DATE	NAME	CLIENT:																		

H G B A