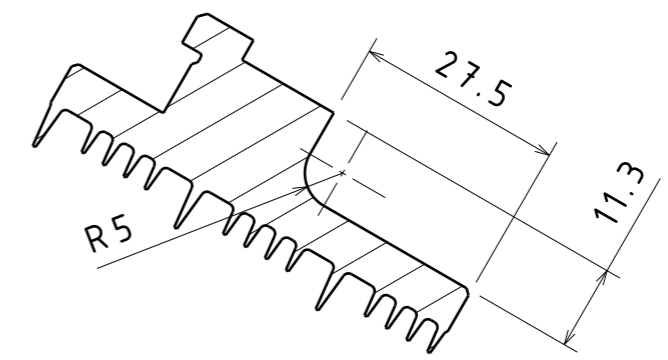
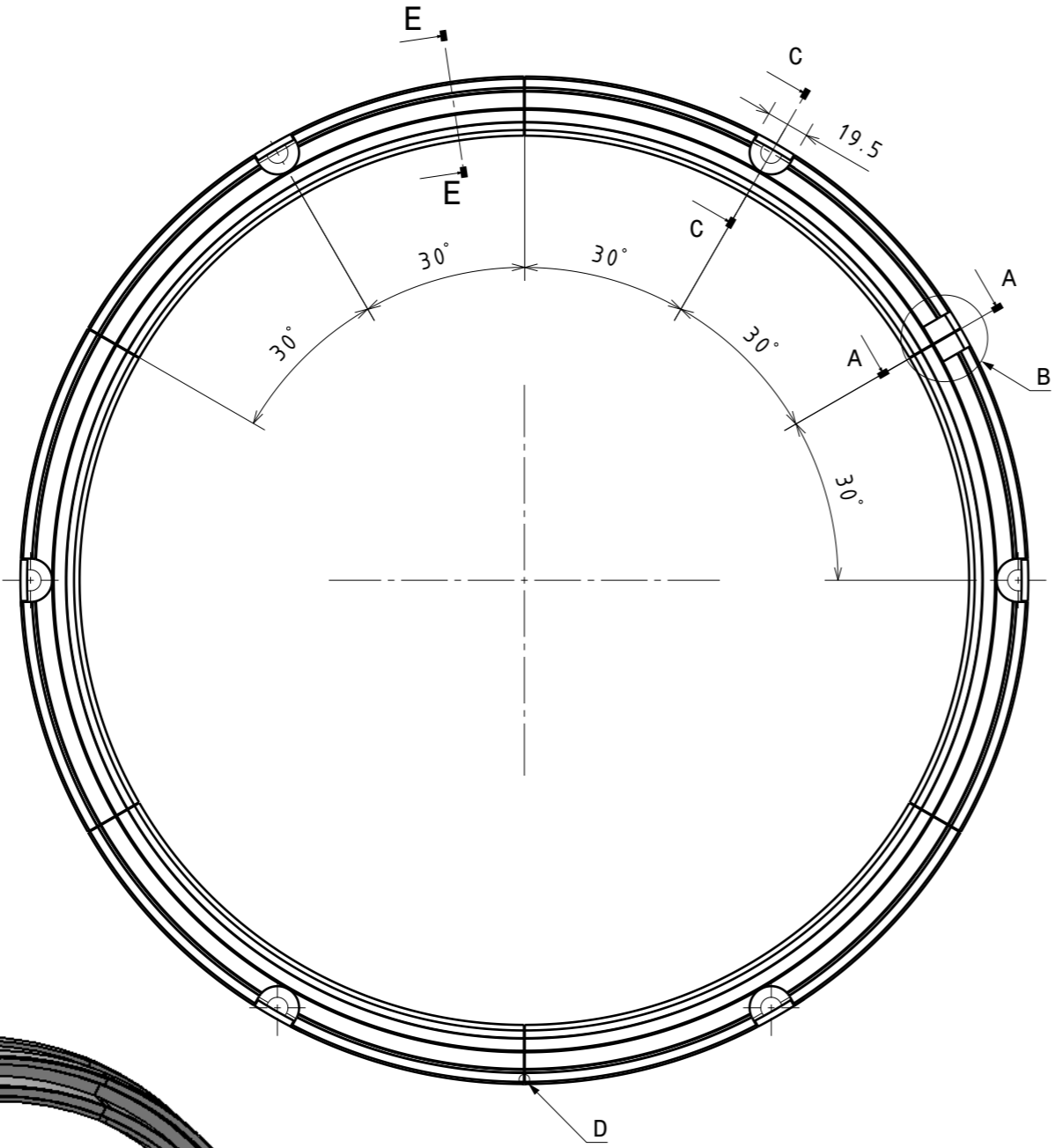
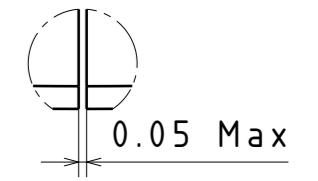


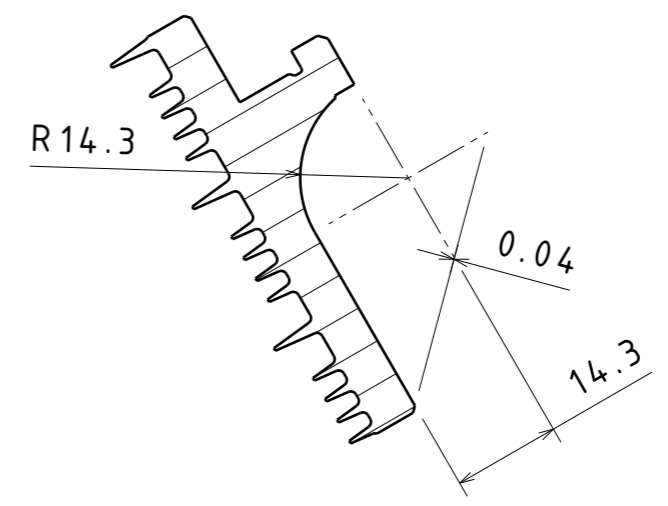
H G F E D C B A



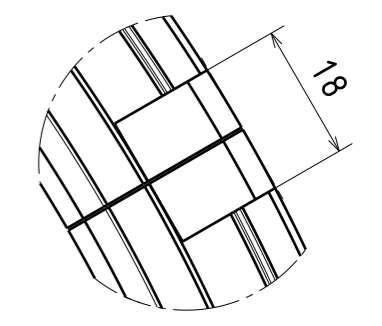
Section cut C-C  
Scale: 1:1



Detail D  
Scale: 3:1


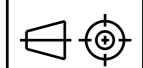


Section cut A-A  
Scale: 1:1



Detail B  
Scale: 1:1



<b>Montazer Ghom</b> <b>Power</b> <b>Management Co.</b> 	DIMENSION WITHOUT TOLERANCE ARE ACCORDING TO ISO2768 (M)	SCALE: 1:3	QTY:	WEIGHT (Kg): 13
		MATERIAL: ASTM A439 Type D-2C	UNITS: mm	
PART NAME: Packing Ring		PART NO.: 118003003		
CLIENT PART No.: 6111136911		 A3 SHEET		1/2

4

3

2

1

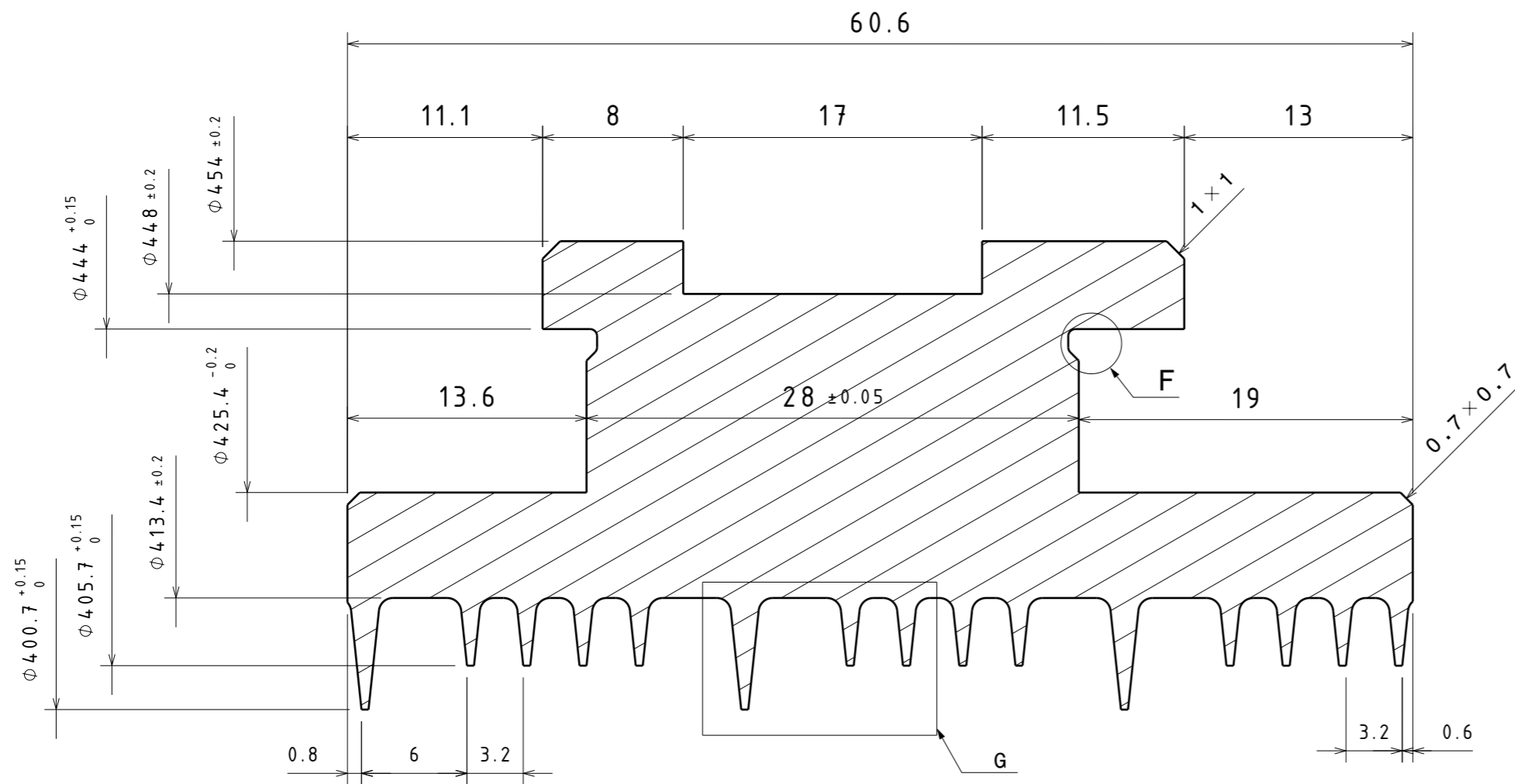
4

3

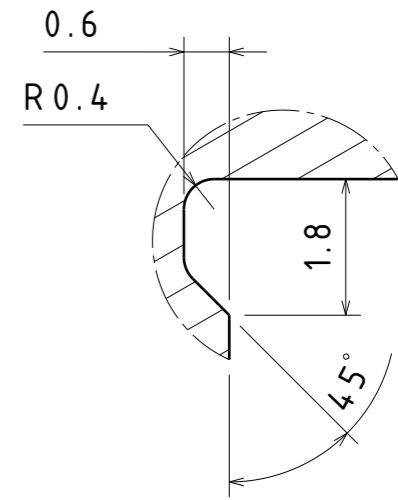
2

1

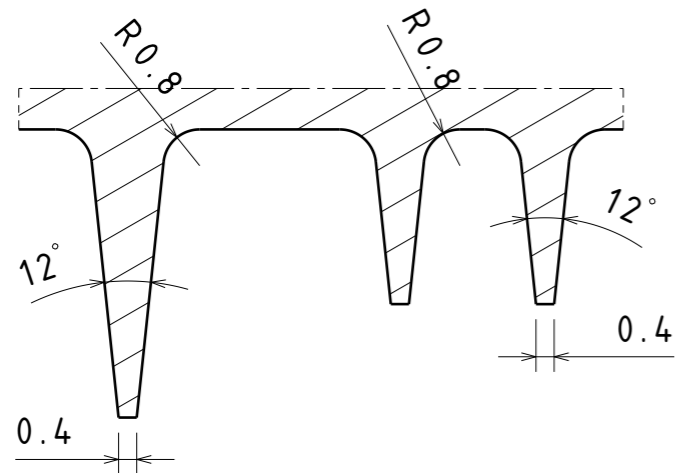
H G F E D C B A




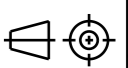
Section cut E-E  
Scale: 3:1



Detail F  
Scale: 10:1



Detail G  
Scale: 6:1

<b>Montazer Ghom</b> <b>Power</b> <b>Management Co.</b> 	DIMENSION WITHOUT TOLERANCE ARE ACCORDING TO ISO2768 (M)		SCALE: 1:3	QTY:	WEIGHT (Kg): 13
	MATERIAL: ASTM A439 Type D-2C			UNITS: mm	
PART NAME: Packing Ring			PART NO.: 118003003		
CLIENT PART No.: 6111136911					A3 SHEET 2/2