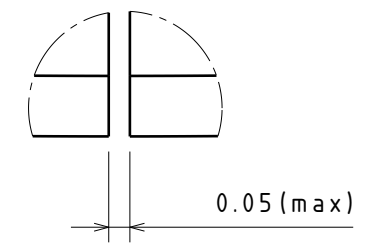
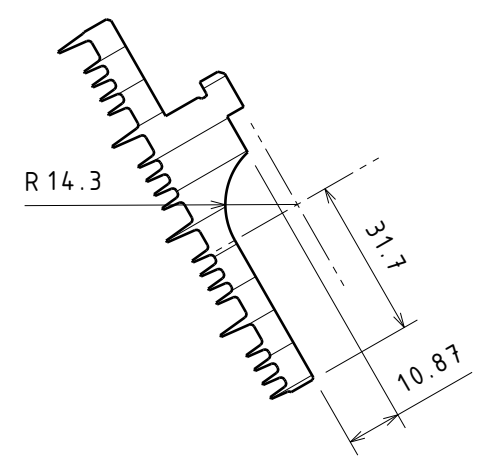


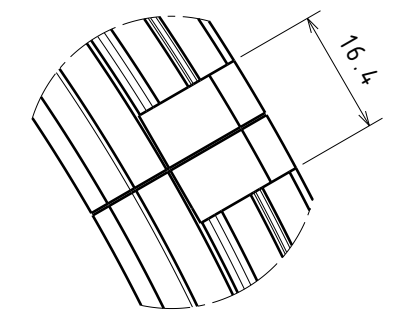
Section cut G-G
Scale: 2:3



Detail B
Scale: 8:1


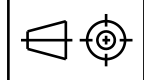


Section cut A-A
Scale: 2:3



Detail C
Scale: 1:1



Montazer Ghom Power Management Co. 	DIMENSION WITHOUT TOLERANCE ARE ACCORDING TO ISO2768 (M)	SCALE: 1:3	QTY:	WEIGHT (Kg): 13
		MATERIAL: ASTM A439 Type D-2C	UNITS: mm	
PART NAME: Packing Ring		PART NO.: 118003002		
CLIENT PART No.: 6111136902		 A3 SHEET 1/2		

4

4

3

3

2

2

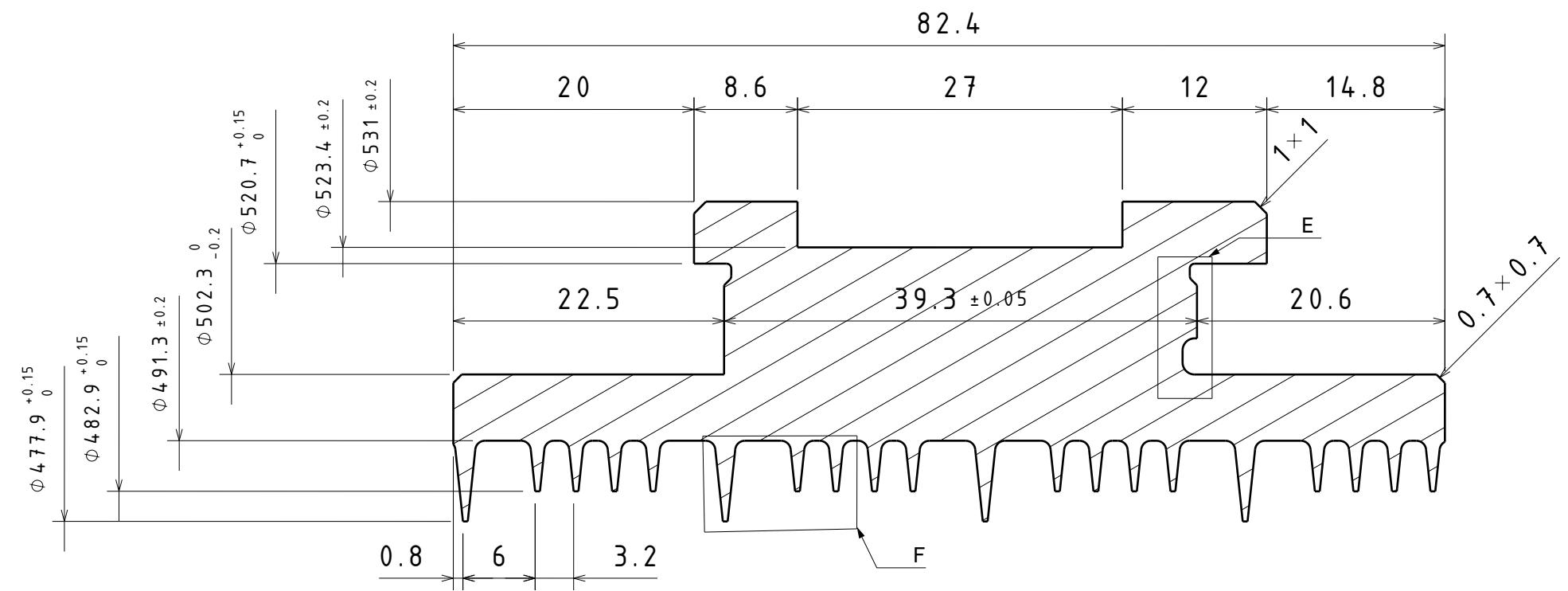
1

1

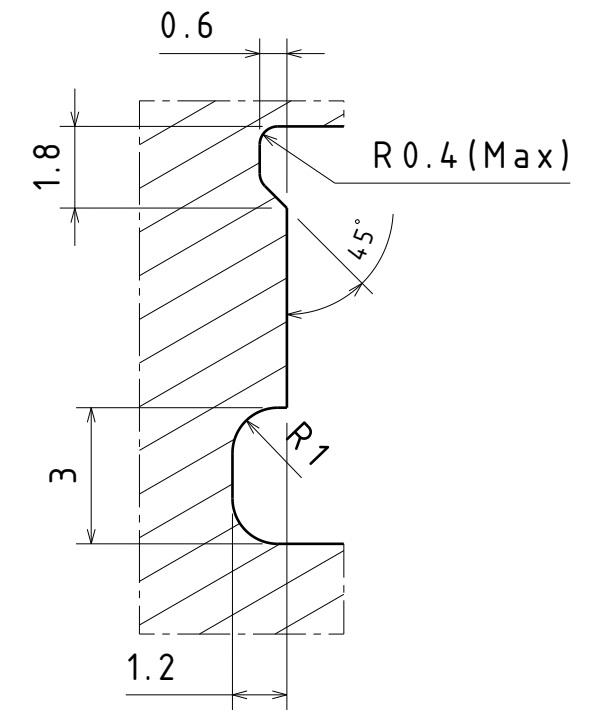
H G F E D C B A

4

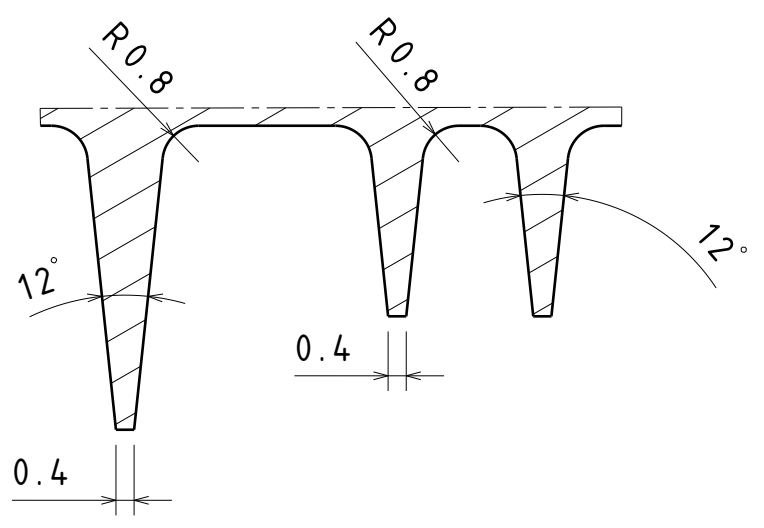
3




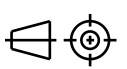
Section cut D-D
Scale: 2:1



Detail E
Scale: 6:1



Detail F
Scale: 6:1

Montazer Ghom Power Management Co. 	DIMENSION WITHOUT TOLERANCE ARE ACCORDING TO ISO2768 (M)		SCALE: 1:3	QTY:	WEIGHT (Kg): 13
	MATERIAL: ASTM A439 Type D-2C			UNITS: mm	
PART NAME: Packing Ring			PART NO.: 118003002		
CLIENT PART No.: 6111136902			 A3 SHEET		2/2

2

1

H G F E D C B A