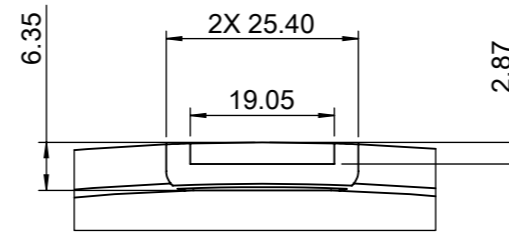
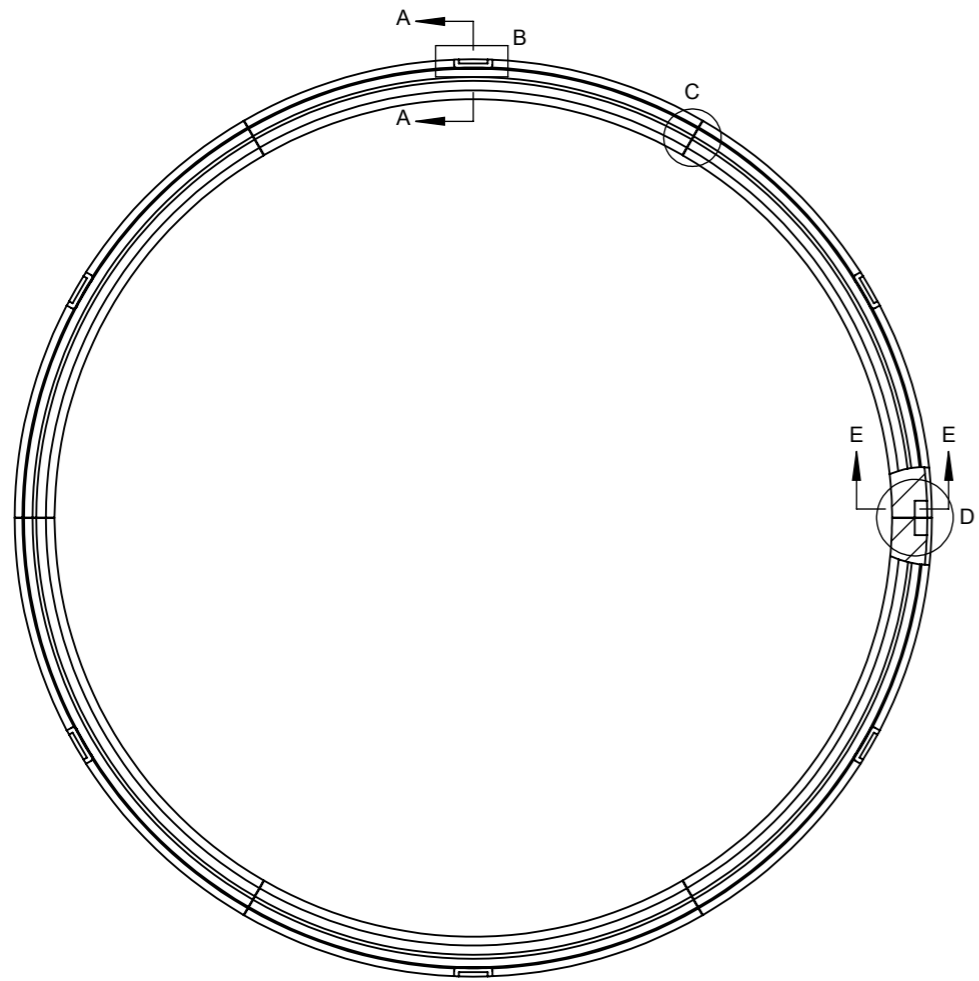
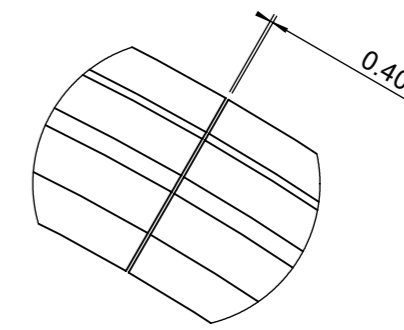


DETAIL A

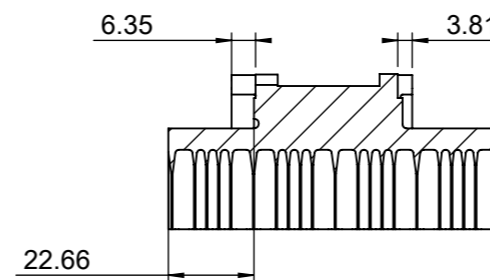
		DIMENSION WITHOUT TOLERANCE ARE			SCALE :	QTY : 04	WEIGHT(Kg): 14.5
		ACCORDING TO ISO2768 (F)			MATERIAL : A439 TYPE D-2C		UNITS : MM
					PART NAME :		
					<h1>Packing Ring</h1>		
					PART NO. :		
					<h2>1155J69</h2>		
					SIZE: A3		
					SHEET 1/4		
NO.	REVISION	DATE	NAME	CLIENT:	CLIENT PART NO.: 118040003		



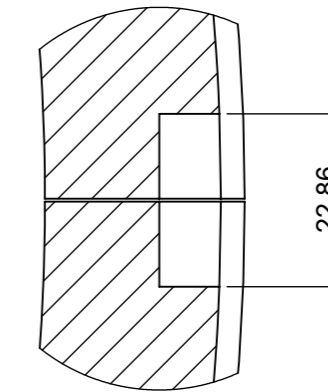
DETAIL B



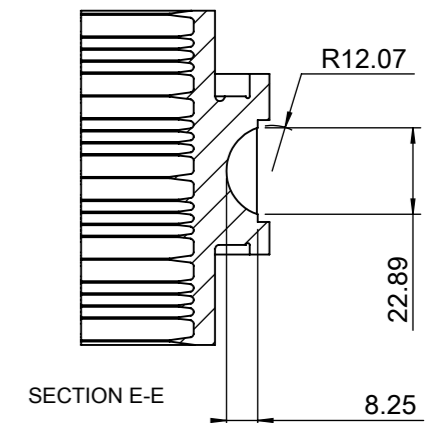
DETAIL C



SECTION A-A



DETAIL D



SECTION E-E

		DIMENTION WITHOUT TOLERANCE ARE ACCORDING TO ISO2768 (F)				SCALE :	QTY : 04	WEIGHT(Kg): 14.5
						MATERIAL : A439 TYPE D-2C		UNITS : MM
						PART NAME :		
						<h2>Packing Ring</h2>		
						PART NO. :		SIZE: A3 SHEET 2/4
						1155J69		
NO.	REVISION	DATE	NAME	CLIENT:	CLIENT PART NO.: 118040003			