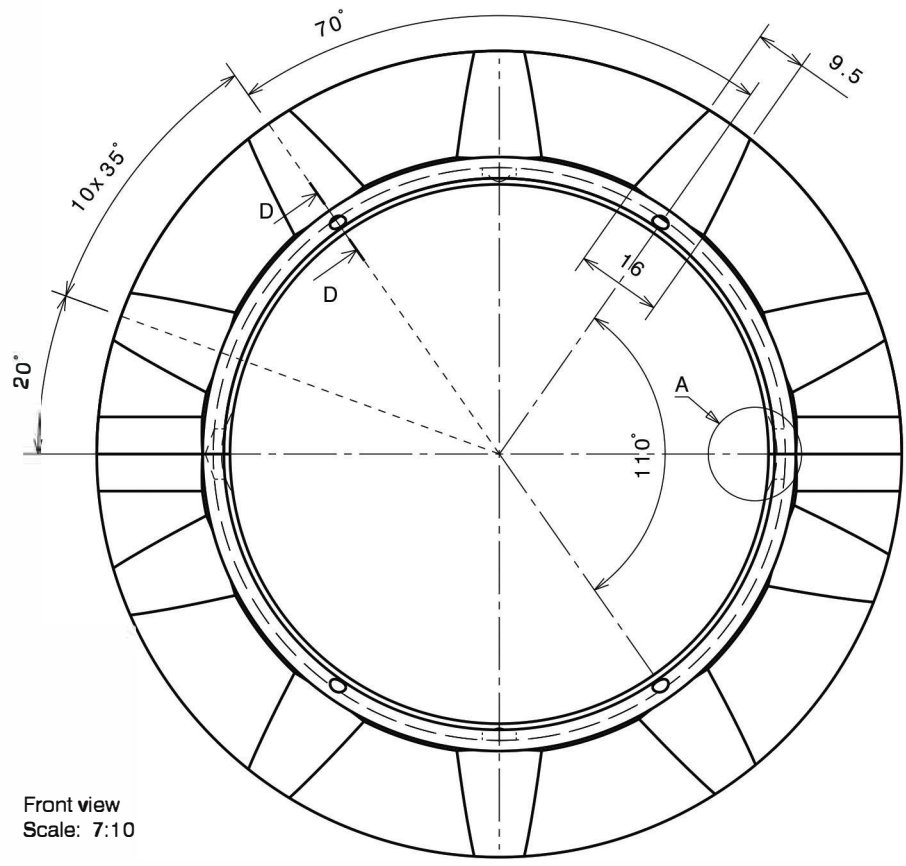
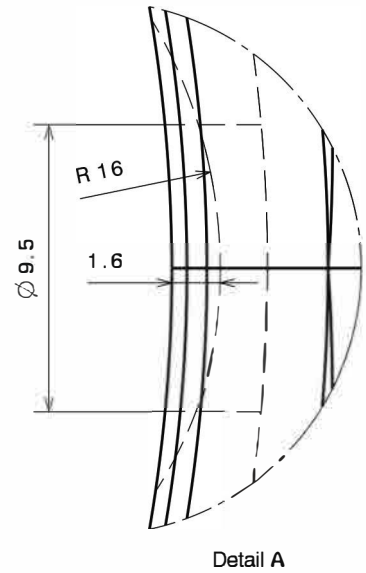


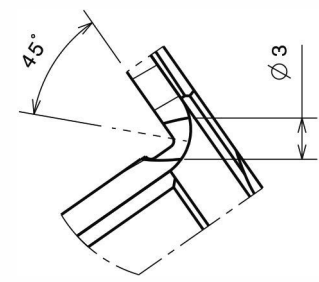
MATERIAL:	1 ST52	2 ASTM B23-G2	3 *****	4 *****
-----------	-----------	------------------	------------	------------



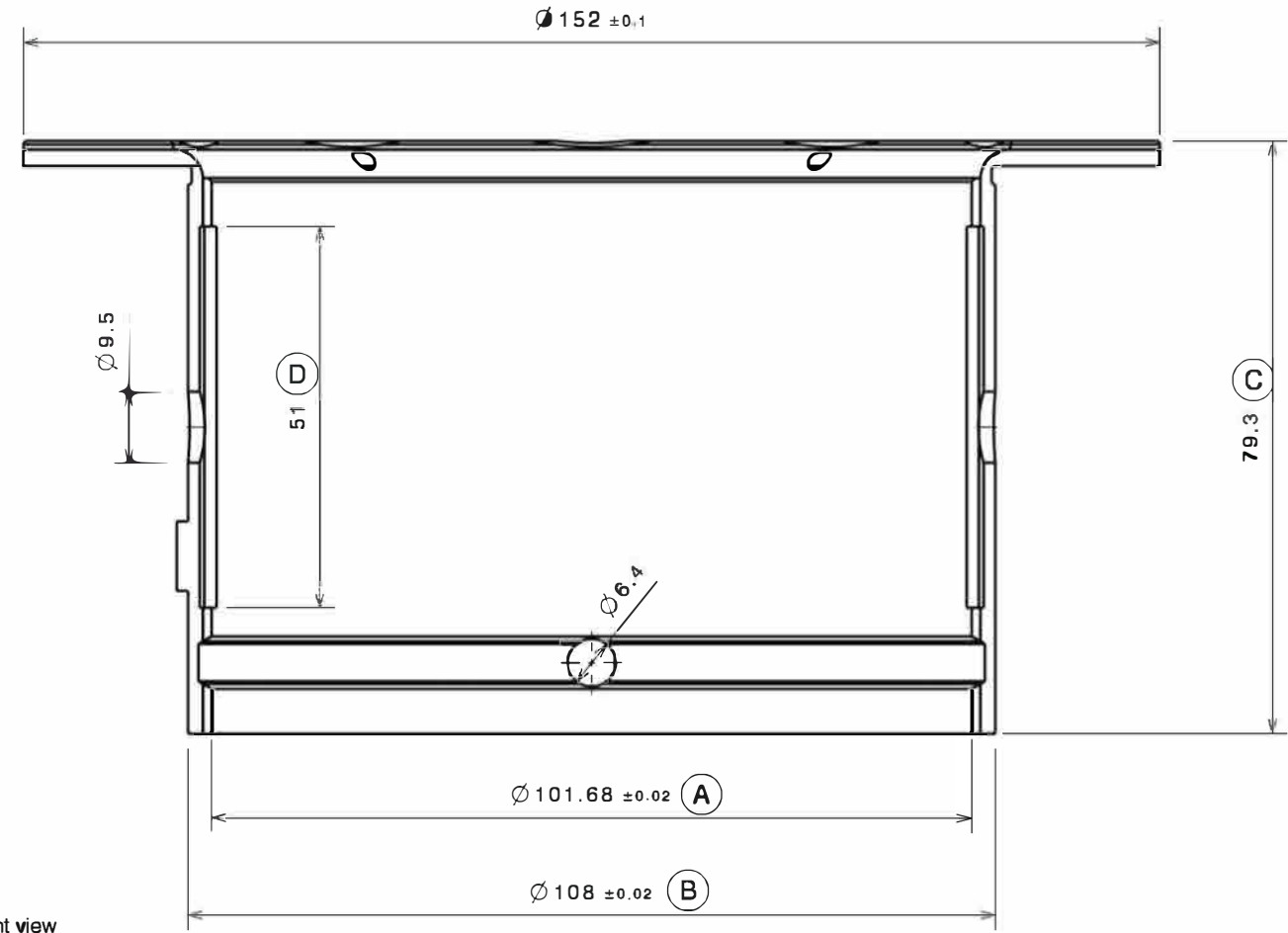
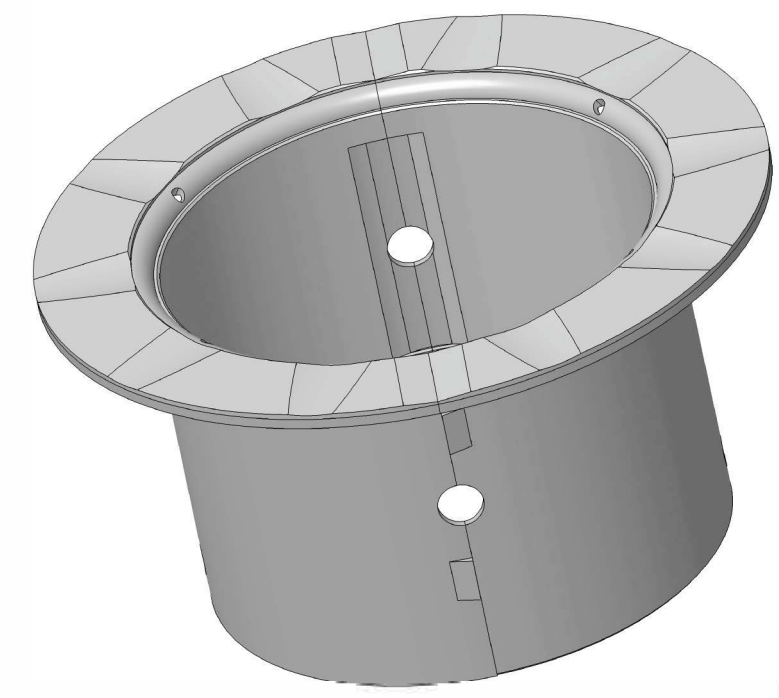
Front view
Scale: 7:10



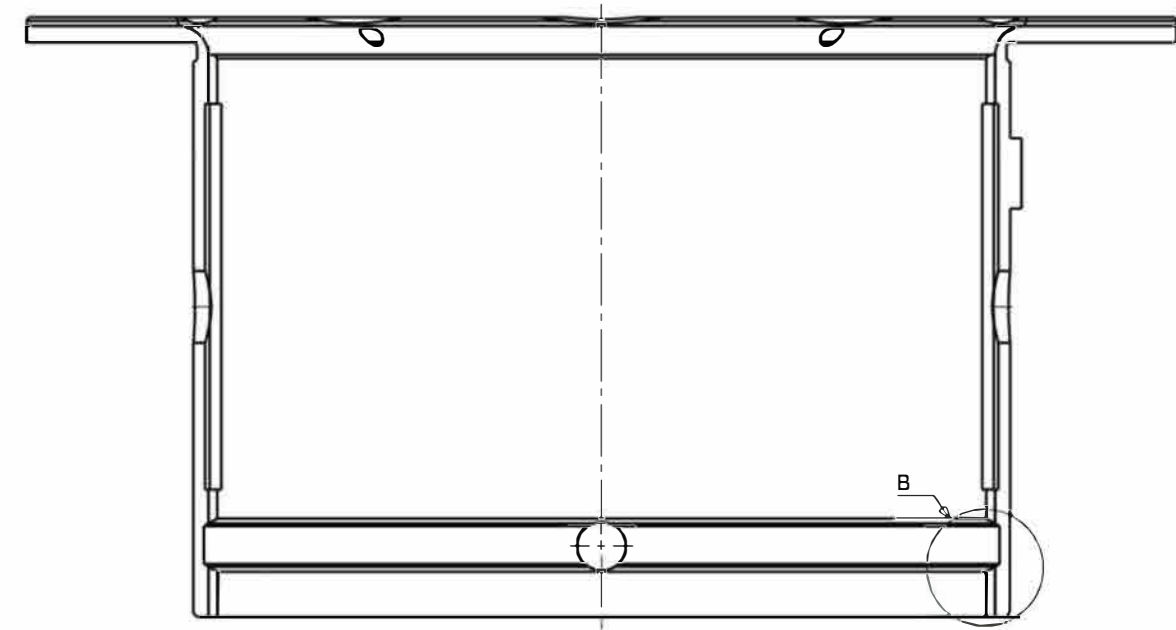
Detail A



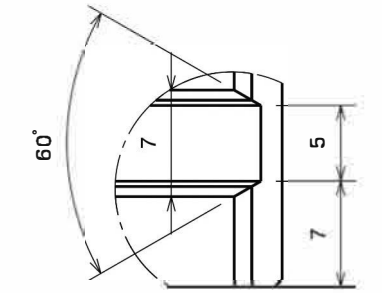
Section view D-D



Front view
Scale: 1:1



Front view
Scale: 1:1



Detail B

Permissible Deviations For Linear Dimensions Except For Broken Edges							
Description	0.5 ↔ 3	3 ↔ 6	6 ↔ 30	30 ↔ 120	120 ↔ 400	400 ↔ 1000	1000 ↔ 2000
Class Fine	±0.05	±0.05	±0.1	±0.15	±0.2	±0.3	±0.5

Rev	0	SIGN
Date		
Drawn		
Check		
App		

نیروگاه منتظر قائم TITLE: 4" * 3"		PRO NO: 97763.1	DWG NO: PIDR1059FINV00
STANDARD: DIN 7168 F		SIZE A3 QUANTITY:	M.E.S.C NO:
		SCALE 1:2 UNIT: mm	PART NO:
			WEIGHT(kg):
			SHEET: 1/1