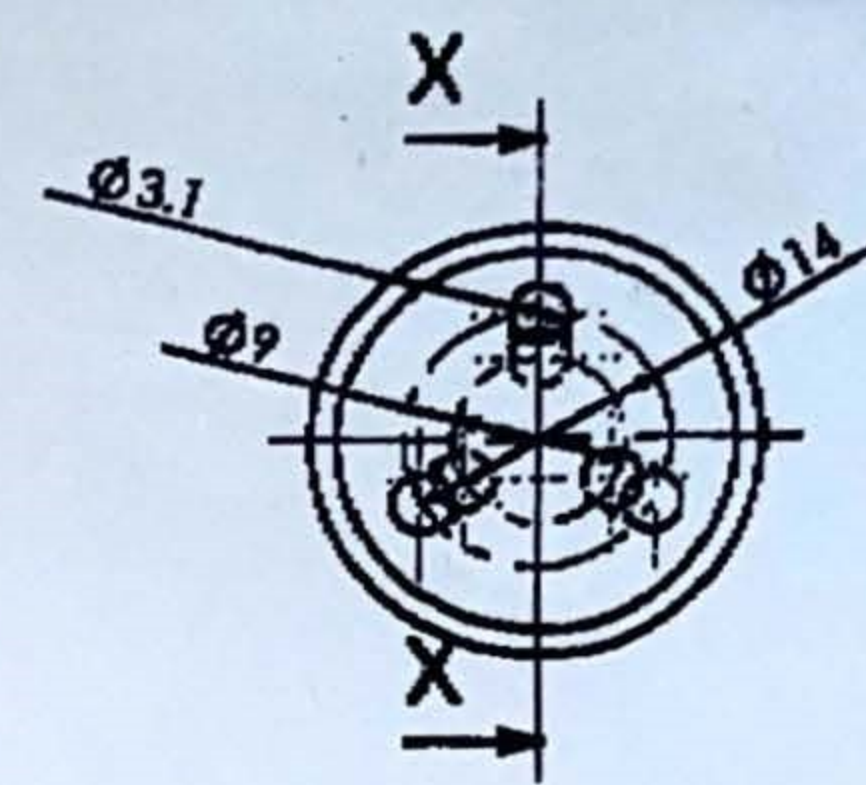


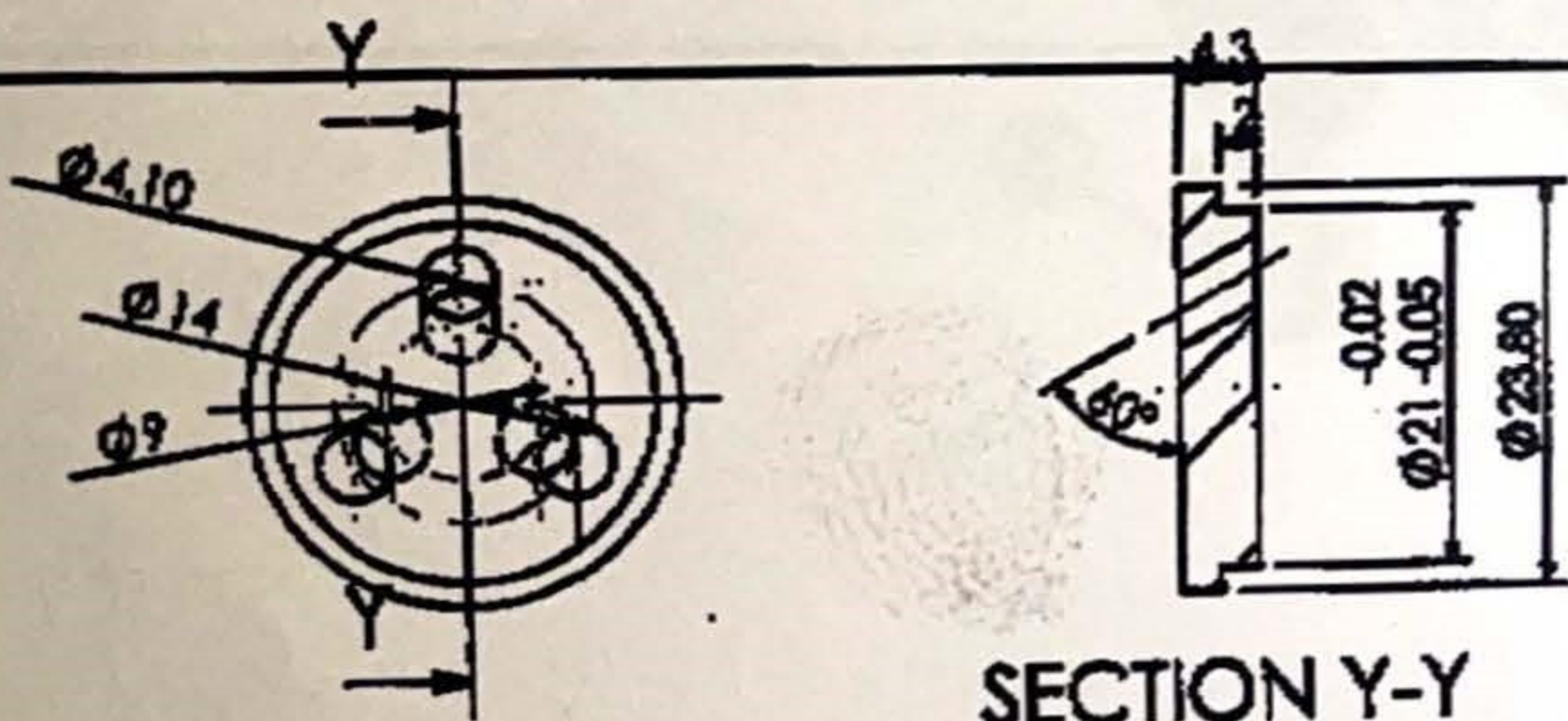
SECTION W-W

DETAIL 4



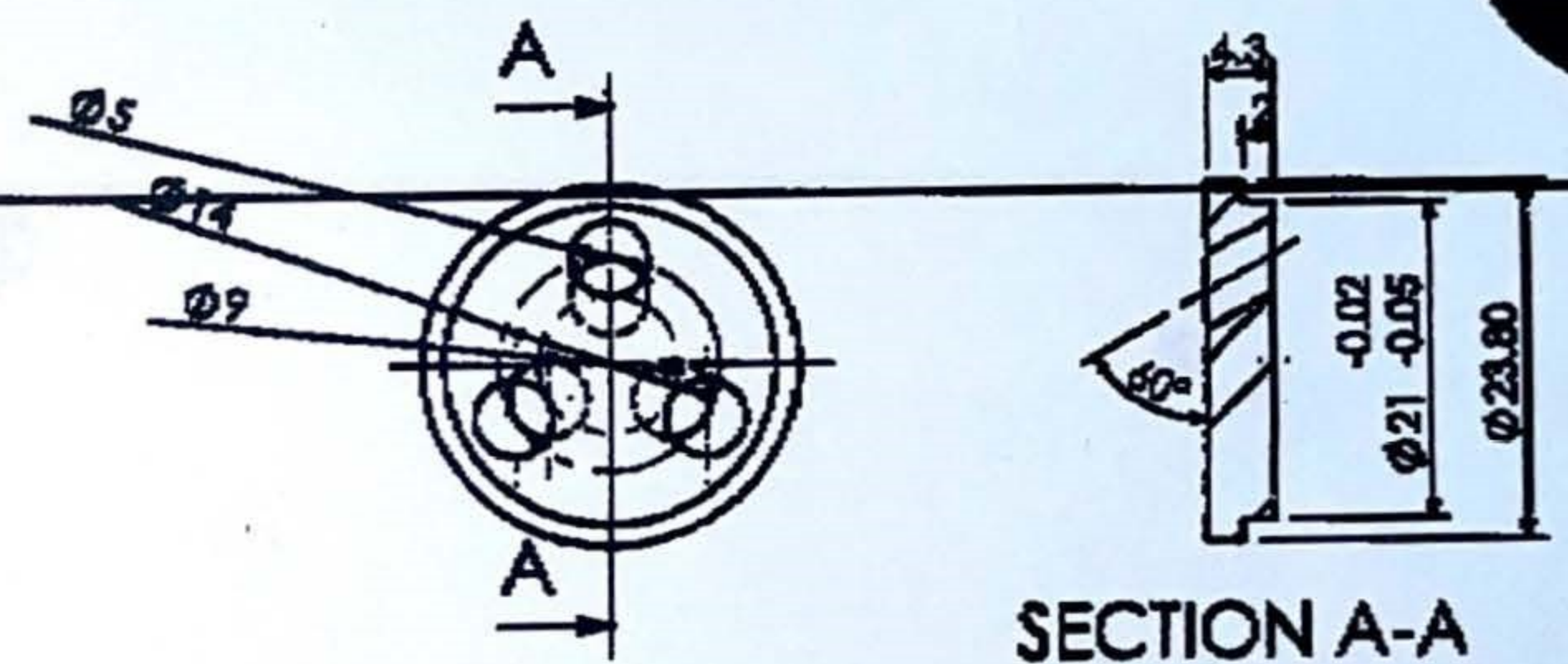
SECTION X-X

DETAIL 5



SECTION Y-Y

DETAIL 3



SECTION A-A

DETAIL 2

	NAME	SIGNATURE	DATE
DRAWN			92/11/20
CHK'D	M		
APP'VD			
DWG. NO.	1610.2		
File Name:			

Title: نازل والو اسپری سوپر ہیتر واحد گازی

Material : S.STEEL 42

Code B: 739929814

SCALE  
SHEET 1