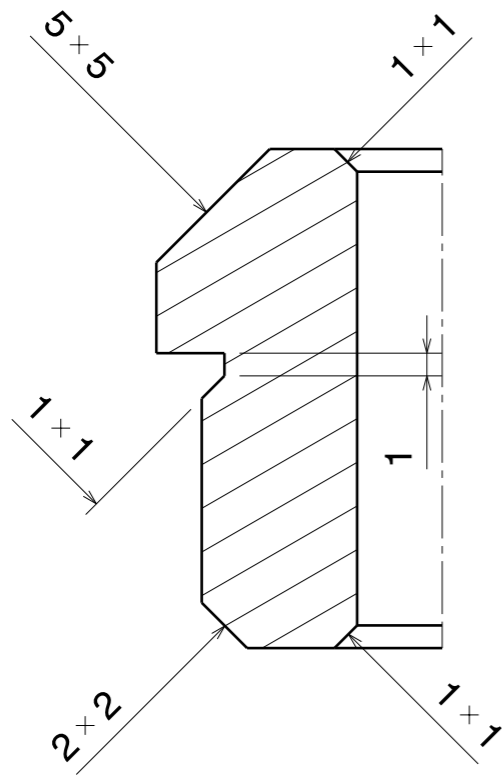
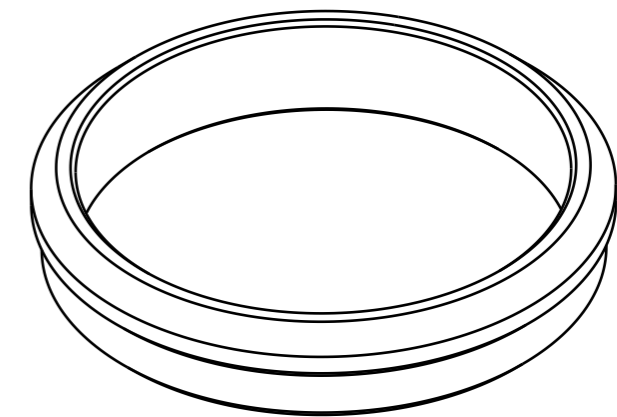

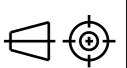


Section view A-A
Scale: 1:1



Detail B
Scale: 3:1



Montazer Ghaem Power Management Co. 		DIMENSION WITHOUT TOLERANCE ARE ACCORDING TO ISO2768(M)			SCALE: 1:1	QTY: 1	WEIGHT (Kg): 0.4															
					MATERIAL: ASTM A276 T.420		UNITS: mm															
<table border="1"> <thead> <tr> <th></th> <th>DATE</th> <th>NAME</th> </tr> </thead> <tbody> <tr> <td>DRAFT</td> <td>95/5/25</td> <td>M. Hemmati</td> </tr> <tr> <td>DRAW.</td> <td>95/5/25</td> <td>M. Hemmati</td> </tr> <tr> <td>CHECK</td> <td>95/5/25</td> <td>M. Hemmati</td> </tr> <tr> <td>APPR.</td> <td>95/5/25</td> <td>A. Ghaderi</td> </tr> </tbody> </table>						DATE	NAME	DRAFT	95/5/25	M. Hemmati	DRAW.	95/5/25	M. Hemmati	CHECK	95/5/25	M. Hemmati	APPR.	95/5/25	A. Ghaderi	PART NAME:		
						DATE	NAME															
					DRAFT	95/5/25	M. Hemmati															
					DRAW.	95/5/25	M. Hemmati															
CHECK	95/5/25	M. Hemmati																				
APPR.	95/5/25	A. Ghaderi																				
Bushing Chanel Ring			PART NO.:		 SIZE: A3 SHEET 1/1																	
			118001001																			
NO.	REVISION	DATE	NAME	CLIENT:	CLIENT PART No.: 6440004499																	