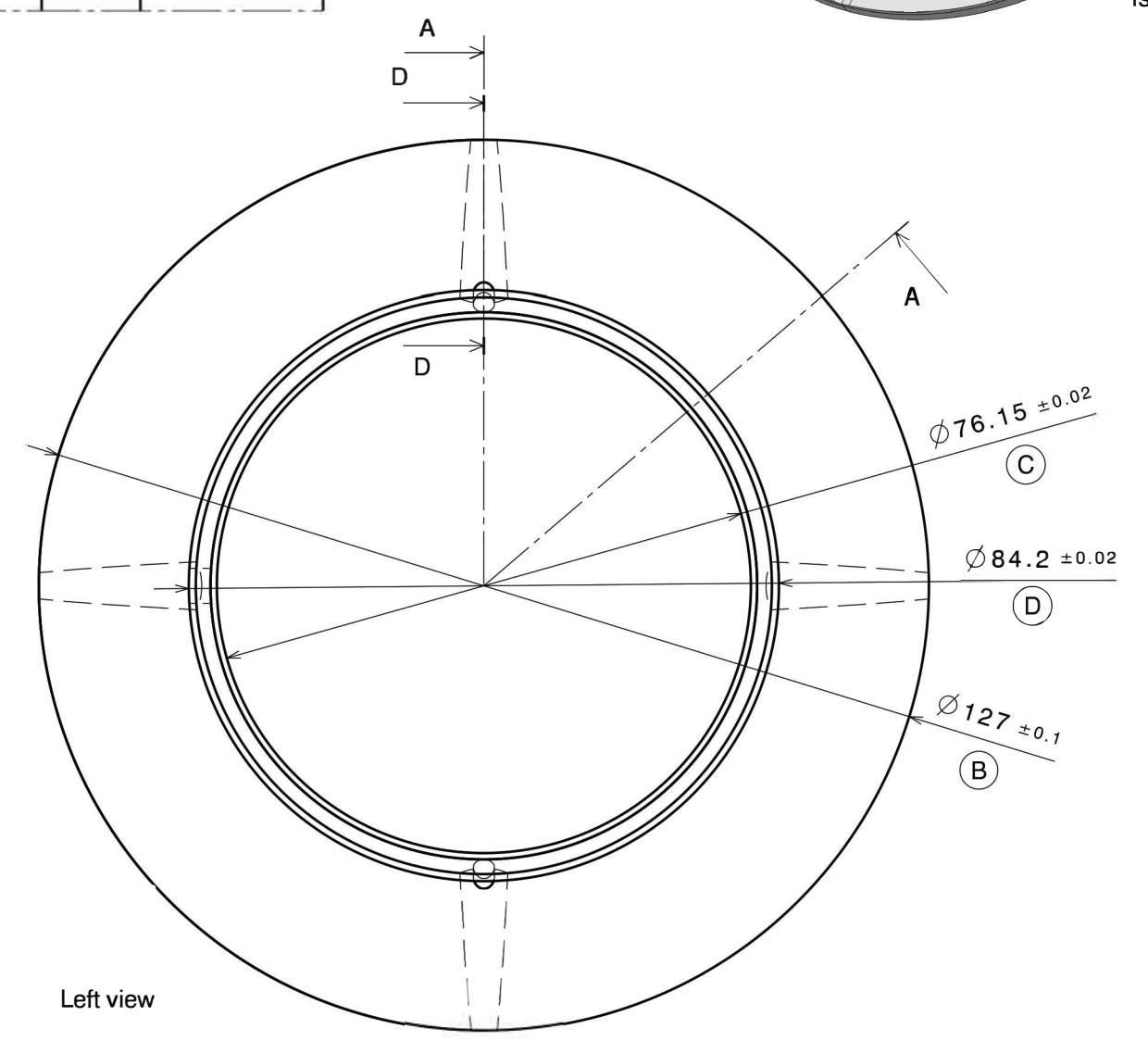
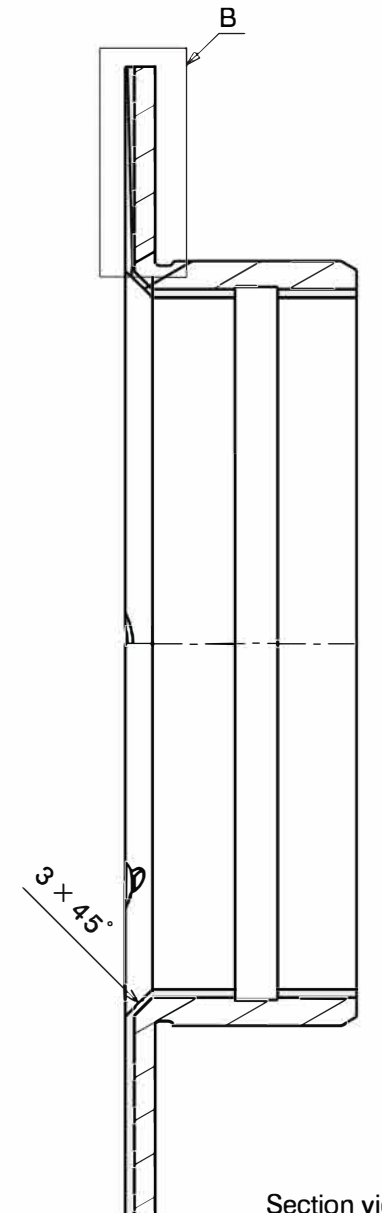
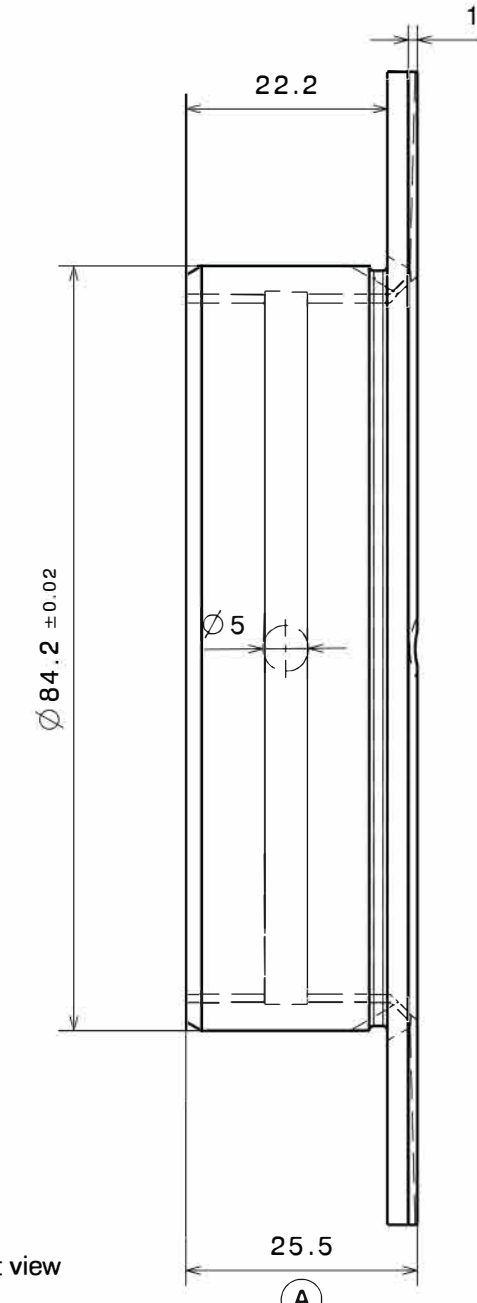
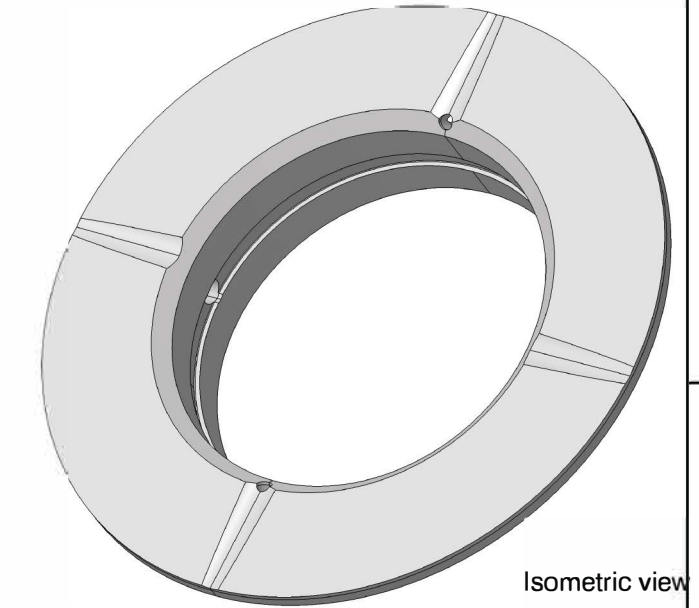
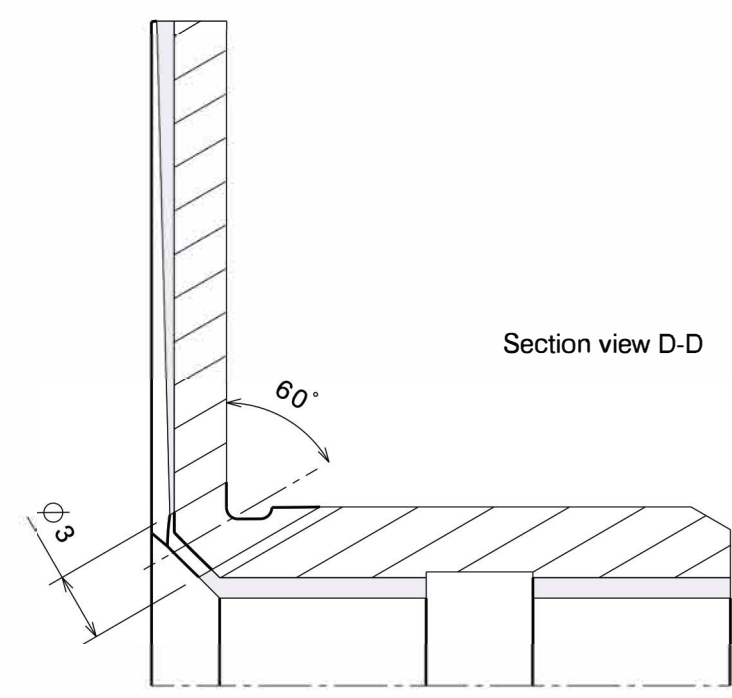
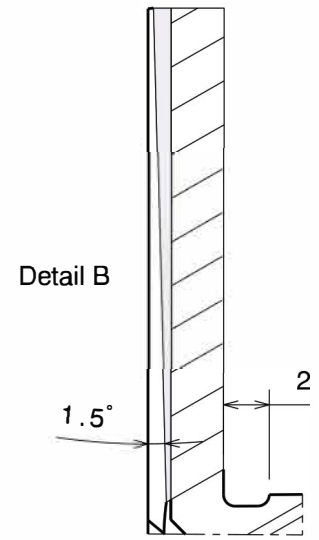


MATERIAL:	1 ST52	2 ASTM B23-G2	3	4
-----------	-----------	------------------	------------	------------



Permissible Deviations For Linear Dimensions Except For Broken Edges							
Description	0.5 ↔ 3	3 ↔ 6	6 ↔ 30	30 ↔ 120	120 ↔ 400	400 ↔ 1000	1000 ↔ 2000
Class Fine	+0.05	±0.05	+0.1	±0.15	±0.2	±0.3	±0.5

Rev		SIGN
Date		
Drawn		
Check		
App		

تیروگاه منتظر قائم TITLE: 3" * 1"		PRO NO: 97763.2	DWG NO: PIDR1060FINV00
STANDARD: DIN 7168 F		SIZE A3 QUANTITY:	M.E.S.C NO: PART NO: WEIGHT(kg):
		SCALE 1:2 UNIT: mm	SHEET: 1/1